



Streamer technology air purifier  
Air Conditioning  
Technical Data  
MC55W



# Table of contents

# MC55W

---

1	<b>Features</b>	4
	MC55W	4
2	<b>Specifications</b>	5
3	<b>Dimensional drawings</b>	6
	Dimensional Drawings	6
4	<b>Wiring diagrams</b>	7
	Wiring Diagrams - Single Phase	7

# 1 Features

## 1 - 1 MC55W

- › Pure air thanks to active plasma ion discharge and flash streamer technology
- › High performacne HEPA filter to catch fine particles of dust
- › Powerful suction and whisper quiet
- › New stylish and compact design



Flash Streamer

## 2 Specifications

### 1 - 1 MC55W

Technical Specifications				MC55W	
Type				Air Purifier	
Application				Floor standing type	
Casing	Colour			White	
Dimensions	Unit	Height	mm	500	
		Width	mm	270	
		Depth	mm	270	
	Packed unit	Height	mm	330	
		Width	mm	598	
		Depth	mm	330	
Weight	Unit		kg	6.8	
	Packed unit		kg	10	
Applicable room area				m <sup>2</sup> 41	
Air purifying operation	Power input	Turbo	kW	0.037	
		M	kW	0.015	
		L	kW	0.010	
		Silent	kW	0.008	
Sound pressure level	Air purifying operation	Turbo	dB(A)	53	
		Medium	dB(A)	39	
		Low	dB(A)	29	
		Silent	dB(A)	19	
Fan	Type	Multi Blade Fan (Sirocco fan)			
	Air flow rate	Air purifying operation	Turbo	m <sup>3</sup> /h	330
			Medium	m <sup>3</sup> /h	192
			Low	m <sup>3</sup> /h	120
			Silent	m <sup>3</sup> /h	66
Fan motor	Speed	Drive	Direct drive		
Dust collecting method				Electrostatic HEPA filter	
Deodorizing method				Flash streamer + Deodorizing catalyst	
Air filter	Type	Polyethylene terephthalate net			
Sign	Item	01	Dust Sign: 3 stages / Odour: 3 stages / Anti-pollen mode / Child proof lock lamp / PM2.5 sensor lamp: 6 stages / Airflow rate: Quiet/Low/Standard/Turbo / AUTO FAN mode / Econo mode / ON/OFF lamp / Streamer lamp		
Safety devices	Item	01	Safety switch (operation stops when the front panel opens)		

Standard accessories: Remote control lid; Quantity: 1;

Standard accessories: Remote control holder; Quantity: 1;

Standard accessories: Electrostatic HEPA filter; Quantity: 1;

Standard accessories: Deodorising filter; Quantity: 1;

Standard accessories: Operation manual; Quantity: 1;

Electrical Specifications				MC55W
Power cord				m 1.8
Power supply	Phase			1~
	Frequency			Hz 50/60
	Voltage			V 220-240/220-230
	Plug	Type		
Running current	Air purifying operation	Turbo	A	0.32
		Medium	A	0.14
		Low	A	0.10
		Silent	A	0.08

The applicable room area is appropriate for operating the unit of maximum fan speed (HH). Applicable room area indicates the space where a certain amount of dust particles can be removed in 30 minutes. (JEM 1467) |

Operating sound levels are the average of values measured at 1m away from the front, left, right and top of the unit. (These are equal to the values in an anechoic chamber) |

Electrostatic HEPA filter is attached in the unit. |

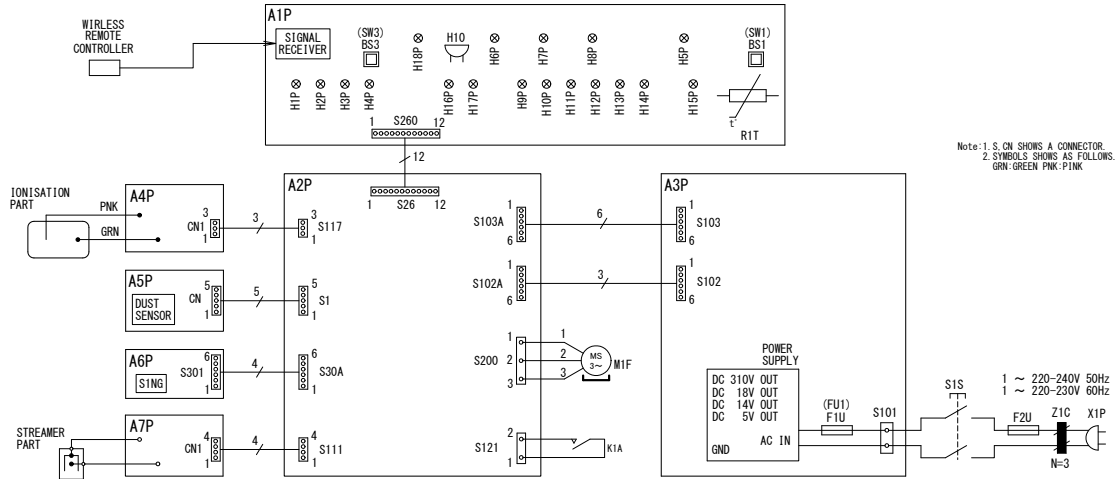
Other function: Active plasmatation function. Auto-restart function.



# 4 Wiring diagrams

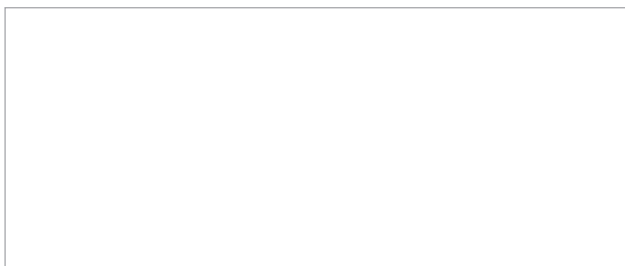
## 4 - 1 Wiring Diagrams - Single Phase

MC55W/MC55VB



H10	Buzzer (RECEIVING SIGN)	BS1	MAIN SWITCH	H9P	LED (PM2.5 INDICATOR 1: WHITE)	F1U	FUSE (250V, 3.15A)
A1P	PRINTED CIRCUIT BOARD (FOR DISPLAY)	BS3	AIRFLOW SWITCH	H10P	LED (PM2.5 INDICATOR 2: WHITE)	F2U	FUSE (250V, 3.15A)
A2P	PRINTED CIRCUIT BOARD (FOR CONTROL)	H1P	LED (QUIET: GREEN)	H11P	LED (PM2.5 INDICATOR 3: WHITE)	MIF	FAN MOTOR
A3P	PRINTED CIRCUIT BOARD (FOR POWER SUPPLY)	H2P	LED (L: GREEN)	H12P	LED (PM2.5 INDICATOR 4: WHITE)	R1T	THERMISTOR
A4P	PRINTED CIRCUIT BOARD (HIGH VOLTAGE POWER SUPPLY FOR IONISATION)	H3P	LED (S: GREEN)	H13P	LED (PM2.5 INDICATOR 5: WHITE)	R1A	LIMIT SWITCH
A5P	PRINTED CIRCUIT BOARD (FOR DUST SENSOR)	H4P	LED (TURBO: GREEN)	H14P	LED (PM2.5 INDICATOR 6: WHITE)	S1S	SAFETY SWITCH
A6P	PRINTED CIRCUIT BOARD (FOR ODOUR SENSOR)	H5P	LED (ON/OFF: GREEN)	H15P	LED (STREAMER LAMP: BLUE)	Z1C	FERRITE CORE
A7P	PRINTED CIRCUIT BOARD (FOR HIGH VOLTAGE POWER SUPPLY)	H6P	LED (AUTO FAN: GREEN)	H16P	LED (DUST SIGN: RED/GREEN)	X1P	POWER SUPPLY PLUG
S1NG	ODOUR SENSOR	H7P	LED (ECONO: GREEN)	H17P	LED (ODOUR SIGN: RED/GREEN)		
		H8P	LED (ANTI-POLLEN: GREEN)	H18P	LED (GHILD PROOF LOCK: ORANGE)		

3D110237C



EEDEN20

03/2020



The present leaflet is drawn up by way of information only and does not constitute an offer binding upon Daikin Europe N.V. Daikin Europe N.V. has compiled the content of this leaflet to the best of its knowledge. No express or implied warranty is given for the completeness, accuracy, reliability or fitness for particular purpose of its content and the products and services presented therein. Specifications are subject to change without prior notice. Daikin Europe N.V. explicitly rejects any liability for any direct or indirect damage, in the broadest sense, arising from or related to the use and/or interpretation of this leaflet. All content is copyrighted by Daikin Europe N.V.