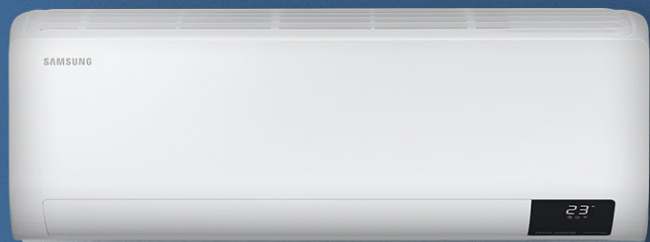


SAMSUNG

Nordic Airise Plus



Singel Split
AR09BXFZCWKNEE / AR09BXFZCWXEE
AR12BXFZCWKNEE / AR12BXFZCWXEE



Specifications

Nordic Airise Plus R32

- Heating down to -30°C.
- Two step cooling mode.
- Compressor with Digital boost inverter technology.
- Triple Protector Plus to protect compressor, fan and controller from power surges.
- Compatible with wired remote controller and with centralized controller.

- AI Auto Comfort.
- Direct drive fan powered by a BLDC motor.
- Equipped with base heater.
- Wi-Fi Smart Control with Bixy Voice Controls and AI Auto Comfort.



Indoor Unit			AR09BFXZCWKNEE	AR12BFXZCWKNEE
Outdoor Unit			AR09BFXZCWKXEE	AR12BFXZCWKXEE
Capacity				
Capacity	Cooling (Nominal)	kW	2.5	3.5
	Cooling (Min–Max)	kW	0.9-3.5	0.9-4.6
	Heating @ +7 °C	kW	3.2	4.0
	Heating (Min–Max)	kW	0.8-7.0	0.8-7.2
	Heating @ 0 °C	kW	4.52	5.28
	Heating @ -10 °C	kW	4.00	4.56
	Heating @ -20 °C	kW	3.19	3.48
Performance				
Energy Efficiency Cooling	SEER ¹	W/W	8.4/ A++	7.7/ A++
	Consumption	kWh/a	104	159
	Pdesignc	kW	2.5	3.5
	EER	W/W	4.63	3.95
Energy Efficiency Heating	SCOP ¹	W/W	4.6/ A++	4.6/ A++
	Consumption	kWh/a	700	730
	Pdesignh (average)	kW	2.3	2.4
	COP ¹	W/W	4.74	4.26
Moisture Removal		l/h	1.0	1.5
Maximum Airflow (Cooling)	Indoor Unit	m ³ /min	12.9	12.9
	Outdoor Unit	m ³ /min	45	45
Sound Power	Indoor Unit (Cooling)	dB(A)	56	58
	Outdoor Unit (Cooling)	dB(A)	59	62
Sound Pressure	Indoor Unit Low/High	dB(A)	18 / 38	18 / 40
	Outdoor Unit High	dB(A)	45	46
Operating Temperature Range	Cooling	°C	-15-46	-15-46
	Heating	°C	-30-24	-30-24
Electrical Data				
Power Source		Φ, V, Hz	1Φ, 220-240 V, 50 Hz	1Φ, 220-240 V, 50 Hz
Compressor Type	Outdoor Unit	Type	Rotary	Rotary
Power Input	Cooling	W	540	885
	Heating	W	675	940
Operating Current	Cooling	A	2.9	4.1
	Heating	A	3.4	4.4
Dimensions				
Net Dimensions (W x H x D)	Indoor Unit	mm	889 x 299 x 215	889 x 299 x 215
	Outdoor Unit	mm	790 x 548 x 285	790 x 548 x 285
Net Weight	Indoor Unit	kg	10.3	10.3
	Outdoor Unit	kg	33	33
Refrigerant				
Refrigerant	Type		R32 (contains fluorinated greenhouse gases. GWP = 675)	
	Charging (for 5 m)	kg	0.965	0.965
	Charging Ton Equivalent CO ₂	tCO ₂ e	0.65	0.65
	Additional Refrigerant Charging	g/m	15	15
Piping Connections	Liquid Pipe	ø, inch	1/4"	1/4"
	Gas Pipe	ø, inch	3/8"	3/8"
Piping Length	Min/Max (ODU to IDU)	m	3 / 15	3 / 15
Piping Height	Max	m	8	8
Piping Connections	Drain Pipe	ø, mm	ID 16	ID 16

¹ Energy labels as shown are according to EU No 626/2011 (LOT10) label classification 2019, on a scale from D to A+++.



Indoor Unit		AR09BFXZCWKNEE	AR12BFXZCWKNEE
Outdoor Unit		AR09BFXZCWKXEE	AR12BFXZCWKXEE
Functions			
Airflow	WindFree™ Cooling	-	-
	Air Direction Control (Up/Down)	Auto	Auto
	Air Direction Control (Left/Right)	Manual	Manual
	Auto Fan Speed	●	●
Air Purification	Tri-Care Filter	-	-
	Easy Filter Plus	●	●
	Auto Clean (Self Cleaning)	●	●
Operating Mode	AI Auto with Wi-Fi & MDS (direct/Indirect)	-	-
	AI Auto with Wi-Fi	●	●
	Auto Mode (without Wi-Fi)	●	●
	Fast Cool	●	●
	Good Sleep	●	●
	Eco mode	●	●
	Dehumidification	●	●
	Fan	●	●
	Quiet	●	●
	Other Functions	Samsung SmartThings	●
MDS (Motion Detect Sensor)		-	-
Indoor Temperature Display		●	●
Display On/Off		●	●
Beep On/Off		●	●
Auto Changeover		●	●
Auto Restart		●	●

Accessory

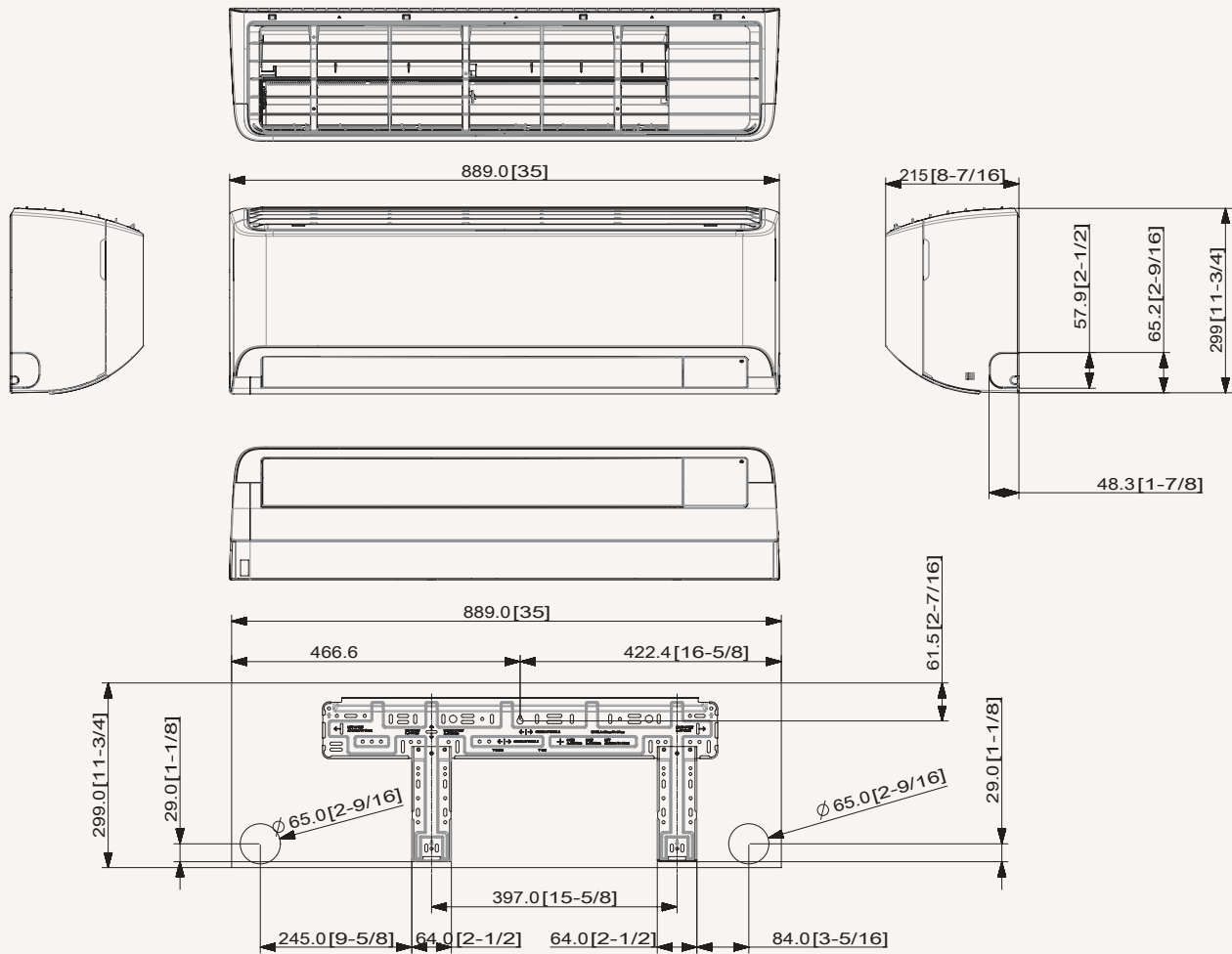


Wireless Remote Controller (included)	Advanced Wired Controller	Simple Type Controller	Touch Controller
	MWR-WG00JN/MWR-WG00KN	MWR-SH00N	MWR-SH11N

Dimensional drawings

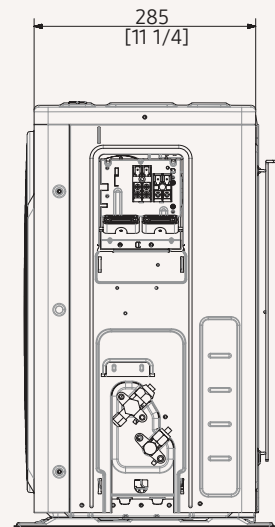
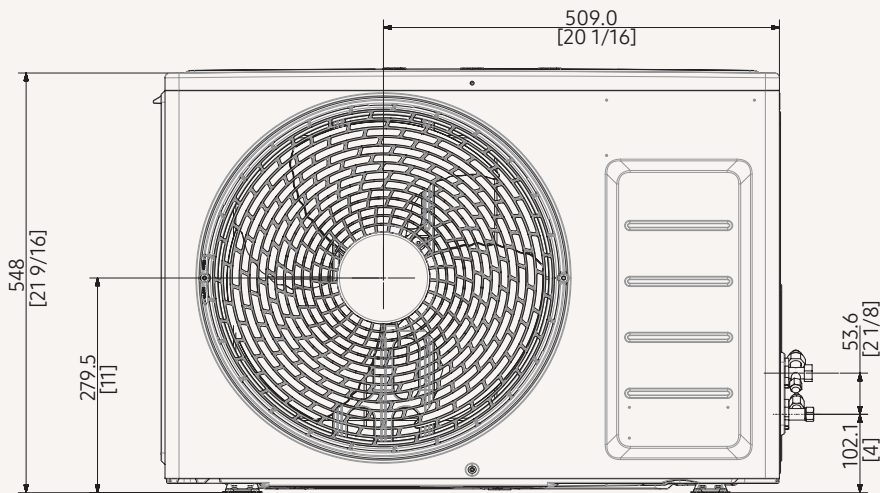
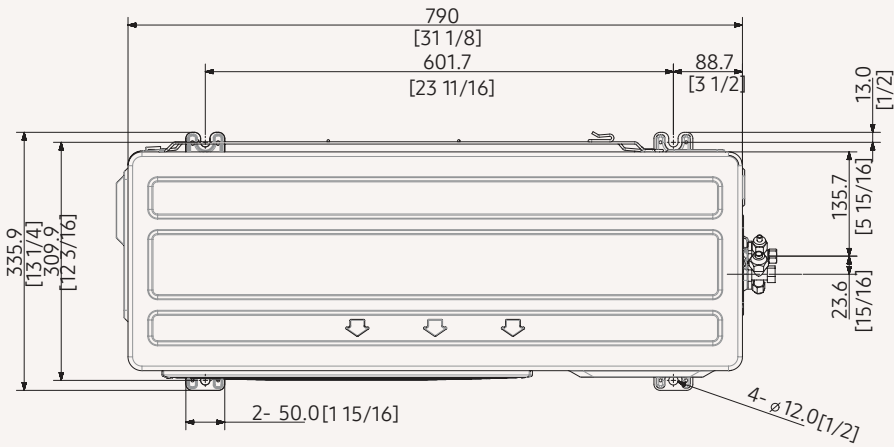
Nordic Airise Plus - Indoor

AR09/12BXFZCWKNEE



Nordic Airise Plus - Outdoor

AR09/12BXFZCWKXEE



SAMSUNG

Find your flow.

Create your perfect environment.

Learn more about Samsung Climate Solutions at:
www.samsung.com/climate

Copyright © 2022 Samsung Electronics Air Conditioner Europe B.V. All rights reserved. Samsung is a registered trademark of Samsung Electronics Co., Ltd. Specifications and designs are subject to change without notice and may include preliminary information. Non-metric weights and measurements are approximate. All data was deemed correct at the time of creation. Samsung is not liable for errors or omissions. Some images may be digitally altered. All brand, product, service names and logos are trademarks and/or registered trademarks of their respective owners and are hereby recognised and acknowledged.



Samsung Electronics Co., Ltd. participates in the Eurovent Certification Programme (ECP) for Air Conditioners (AC), Variable Refrigerant Flow (VRF) and Liquid Chilling Packages Heat Pump (LCP-HP). To check the ongoing validity of certification, please visit: www.eurovent-certification.com

Samsung Electronics Air Conditioner Nordic
Torshamnsgatan 48, SE- 164 40 Kista, Sweden
T: +46 (0)8 555 060 61
E: ac.nordic@samsung.com