



# CHILL CONNECTED

AIR CONDITION AC1W-7000/ AC1B-7000C/ AC1B-9000C

---

EN · Instruction manual

DE · Anleitung

NO · Bruksanvisning

NL · Instructies

SE · Bruksanvisning

PL · Instrukcje

DK · Betjeningsvejledning

FR · Instructions

FI · Käyttöohje

READ ALL INSTRUCTIONS BEFORE USE

EN

LES ALLE ANVISNINGER FØR BRUK

NO

LÄS IGENOM ALLA INSTRUKTIONER INNAN PRODUKTEN ANVÄNDS

SE

LÆS ALLE VEJLEDNINGER INDEN BRUG

DK

LUE OHJEET HUOLELLISESTI ENNEN KÄYTTÖÄ

FI

LESEN SIE DIE ANLEITUNG VOR DEM GEBRAUCH GRÜNDLICH DURCH

DE

LEES VÓÓR GEBRUIK ALLE INSTRUCTIES

NL

PRZED UŻYCIEM ZAPOZNAĆ SIĘ ZE WSZYSTKIMI ZALECENIAMI

PL

PRENEZ CONNAISSANCE DE TOUTES LES INSTRUCTIONS AVANT UTILISATION

FR

## CONTENTS

4	IMPORTANT SAFETY INSTRUCTIONS
6	SYMBOLS FROM THE UNIT AND USER MANUAL
7	OPERATIONAL PRECAUTIONS
10	PRODUCT OVERVIEW
11	INSTALLATION
11	ATTACH THE EXHAUST HOSE
13	CONTROL PANEL AND DISPLAY
14	REMOTE CONTROL
14	SETTINGS
16	TIMER SETTING (1HOUR-24HOURS)
16	DRAINAGE
17	DISASSEMBLY AND CLEANING
18	TROUBLESHOOTING
19	STORAGE
19	WIFI DESCRIPTION
21	TROUBLESHOOTING CONNECTION
22	GUARANTEE
23	PRODUCT SPECIFICATIONS
23	SUPPORT AND SPARE PARTS
23	RECYCLABILITY

## IMPORTANT SAFETY INSTRUCTIONS

- Read this instruction manual thoroughly before use and save it for future reference. It is also available at our website; wilfa.com.
- This appliance can be used by children aged from 8 years and above and persons with reduced physical, sensory or mental capabilities or lack of experience and knowledge if they have been given supervision or instruction concerning use of the appliance in a safe way and understand the hazards involved. Children shall not play with the appliance. Cleaning and user maintenance shall not be done by children without supervision.
- This product is intended for indoor, non-industrial, non-commercial; household use only.
- If the supply cord is damaged, it must be replaced by the manufacturer, its service agent or similarly qualified persons in order to avoid a hazard.
- The unit is designed only for use with R-290(propene) gas as the designated refrigerant.
- The refrigerant loop is sealed. Only a qualified technician should attempt to service!
- Do not discharge the refrigerant into the atmosphere.

- R-290 (propane) is flammable and heavier than air. It accumulates first in low areas but can be circulated by fans.
- If propane gas is present or even suspected, do not allow untrained personnel to attempt to find the cause.
- The propane gas used in the unit has no odor.
- The lack of smell does not indicate a lack of escaped gas.
- If a leak is detected, immediately evacuate all persons from the room, ventilate the room and contact the local fire department to advise them that a propane leak has occurred.
- Do not let any persons back into the room until the qualified service technician has arrived and that technician advises that it is safe to return to the room.
- No open flames, cigarettes or other possible sources of ignition should be used inside or in the vicinity of the units.
- Component parts are designed for propane and non-incentive and non-sparking. Component parts shall only be replaced with identical repair parts.

EN

FAILURE TO ABIDE BY THIS WARNING COULD RESULT IN AN EXPLOSION, DEATH, INJURY AND PROPERTY DAMAGE.

The environmentally friendly R290 is used as the refrigerant. R290 has no damaging influence on the ozone layer (ODP), a negligible greenhouse effect (GWP) and is available worldwide. Because of its efficient energy properties, R290 is highly suitable as a coolant for this application. Special precautions must be taken into consideration due to the coolant's high flammability.

#### SYMBOLS FROM THE UNIT AND USER MANUAL



Warning

This unit uses a flammable refrigerant.

If refrigerant leaks and comes in contact with fire or heating part, it will create harmful gas and there is a risk of fire.



Read the USER MANUAL carefully before operation.



Further information is available in the USER MANUAL, SERVICE MANUAL, and the like.



Service personnel are required to carefully read the USER MANUAL and SERVICE MANUAL before operation.

EN

#### OPERATIONAL PRECAUTIONS

WARNING- to reduce the risk of fire, electric shock or injury to persons or property:

- Always operate the unit from a power source of equal voltage, frequency and rating as indicated on the product identification plate.
- Always use a power outlet that is grounded.
- Unplug the power cord when cleaning or when not in use.
- Do not operate with wet hands. Prevent water from spilling onto the unit.
- Do not immerse or expose the unit to rain, moisture or any other liquid.
- Do not leave the unit running unattended. Do not tilt or turn over the unit.
- Do not unplug while the unit is operating.
- Do not unplug by pulling on the power cord.
- Do not use an extension cord or an adapter plug.
- Do not put objects on the unit.
- Do not climb or sit on the unit.
- Do not insert fingers or other objects into the air outlet.

- Do not touch the air inlet or the aluminum fins of the unit.
- Do not operate the unit if it is dropped, damaged or showing signs of product malfunction.
- Do not clean the appliance with any chemicals.
- Ensure the unit is far away from fire, inflammable, or explosive objects.
- The unit shall be installed in accordance with national wiring regulations.
- Do not use means to accelerate the defrosting process to clean, other than those recommended by the manufacture.
- The appliance shall be stored in a room without continuously operation sources (for example: open flames, an operating gas appliance or an operating electric heater).
- The appliance shall be stored so as to prevent mechanical damage from occurring.
- Do not piece or burn, even after use.
- Be aware that refrigerants may not contain an odour.
- Pipe-work shall be protected from physical damage and shall not be installed in an unventilated space, if that space is smaller than 8m<sup>2</sup>.

- Compliance with national gas regulations shall be observed.
- Keep any required ventilation openings clear of obstruction.
- The appliance shall be stored in a well-ventilated area where the room size corresponds to the room area as specified for operation.



## WARNING

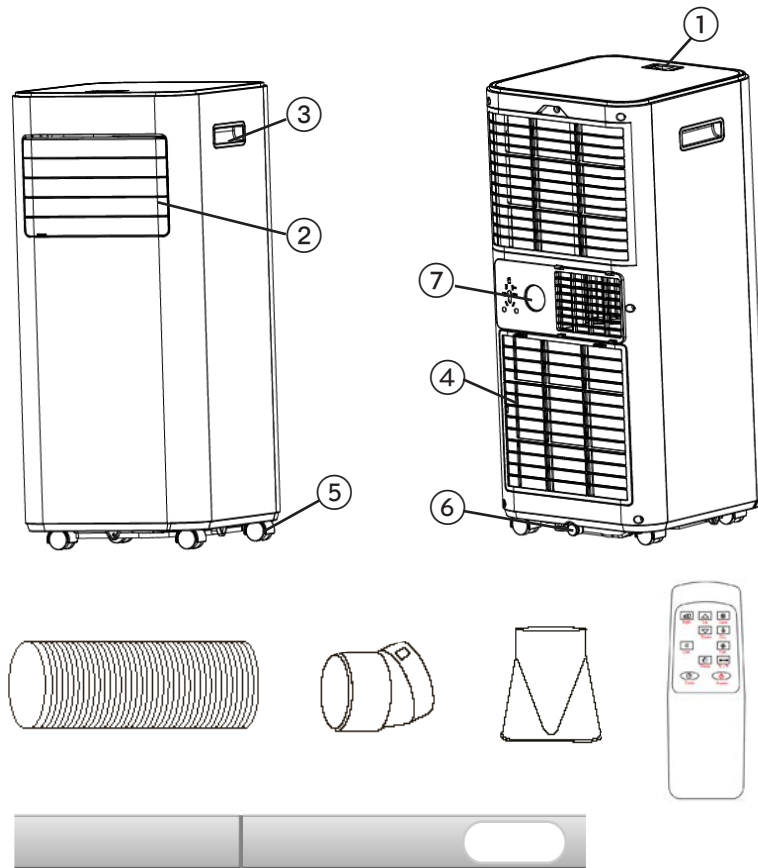
Any person who is involved with working on or breaking into a refrigerant circuit should hold a current valid certificate from an industry-accredited assessment authority, which authorizes their competence to handle refrigerants safely in accordance with an industry, recognized assessment specification.



## WARNING

Servicing shall only be performed as recommended by the equipment manufacturer. Maintenance and repair requiring the assistance of other skilled personnel shall be carried out under the supervision of the person competent in the use of flammable refrigerants.

## PRODUCT OVERVIEW



1. Control panel
2. Air outlet with adjustable louver
3. Handle
4. Air inlet with air filter
5. Wheel
6. Drainage hole
7. Air exhaust

## Accessories:

1. Exhaust hose
2. Hose connector
3. Window kit adapter
4. Remote control
5. Window bracket

**Note:** The appearance is only for reference. Please see the real product for detailed information.

## INSTALLATION

## CHOOSE YOUR LOCATION

- If tipped more than 45°, allow the unit to set upright for at least 24 hours before start up.
- Place the unit on a firm, level surface in an area with at least 50cm of free space around it to allow for proper air circulation.
- Do not operate in close proximity to walls, curtains, or other objects that may block air inlet and outlet. Keep the air inlet and outlet free of obstacles.
- Never install the unit where it could be subject to:
  - Heat sources such as radiators, heat registers, stoves or other products that produce heat.
  - Direct sunlight
  - Mechanical vibration or shock
  - Excessive dust
  - Lack of ventilation, such as a cabinet or bookcase
  - Uneven surface

## WARNING!



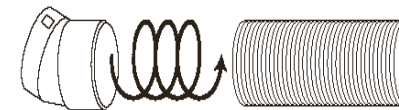
- Install the unit in rooms which exceed 8 m<sup>2</sup>.
- Do not install the unit in a place where inflammable gas may leak.

## ATTACH THE EXHAUST HOSE

The air conditioner requires being vented outside so that the exhaust air can escape the room which coming from the appliance contains waste heat and moisture.

Do not replace or extend exhaust hose which will result in decreased efficiency, even worse shut down the unit due to low backpressure.

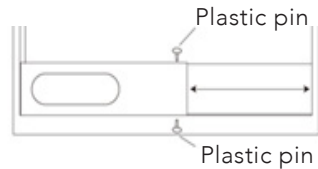
**Step 1:** Connect the hose connector to one end of the exhaust hose.



**Step 2:** Connect the windows kit adapter to the other end of the exhaust hose.

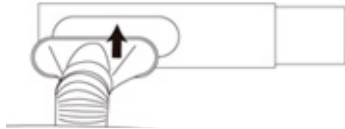


**Step 3:** Adjust the window brackets to the width or height of your window, and insert the plastic pins to fix the desired position.



**Note:** do not install the window bracket to the window. This step is only to adjust to the size of your window. The bracket should be removed after the size is adjusted.

**Step 4:** Connect the window bracket to the window kit adapter. Ensure all connections are tight and installed properly.

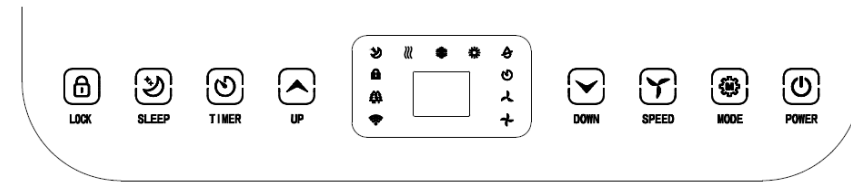


**Step 5:** Connect the window bracket to the window.



**Step 6:** Adjusting the length of the flexible exhaust hose and avoid bends in the hose. Then place AC near an electrical outlet.

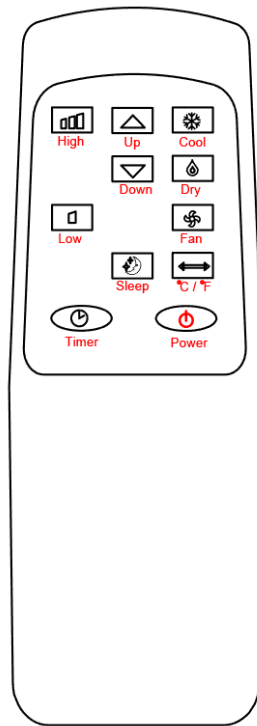
## CONTROL PANEL AND DISPLAY



1	LOCK	Press and hold this key to turn on or turn off the child lock function
2	MODE	Mode button Press to switch the operation mode between fan, cooling and dehumidifier.
3	UP	Increasing the desired temperature (16°C - 32°C) or timer setting
4	POWER	Press to switch the machine on or off
5	DOWN	Decreasing the desired temperature or timer setting.
6	SPEED	Press to switch the fan speed between HIGH and LOW
7	TIMER	Sets a time for the unit to automatically start or stop.
8	SLEEP	Press to enter sleep mode. Can only be entered in cooling mode
9	Fan speed	The display for fan speed in High or low
10	Led Display	This LED Display the Room Temperature or Time Setting
11	Mode Display	This display the Mode Setting between fan, cooling and dehumidifier



## REMOTE CONTROL



## SETTINGS

### START-UP AND SHUTDOWN

- Press POWER to turn the unit on.
- Press MODE button to select the desired operation mode.
- Press POWER again to turn off the power.

### OPERATION MODE

The unit has four operation modes: Cool, dry, fan, sleep.

### COOLING YOUR ROOM

- Select the cool mode to lower the temperature in your room.
- Press MODE button repeatedly until the COOL indicator lights up.
- Press Up/Down button to adjust the temperature which is displayed on the screen. The temperature can be set between 16°C and 32°C.

- Press SPEED button repeatedly until the desired fan speed indicator lights up.
- To control the direction of the air flow horizontally, please adjust the inner louver by hand.

**Note:** The air conditioner stops if the room temperature is lower than selected temperature.

### VENTILATING YOUR ROOM

- Press MODE button repeatedly until the FAN indicator lights up.
- In ventilation mode the room air is circulated, but not cooled.
- Press SPEED button repeatedly to select the fan speed as desired.

### DRYING YOUR ROOM

- Press MODE button on the control panel or remote control, the dry indicator lights up. The fan speed is unable to select. User should connect the hose to the drain outlet at the bottom of the unit.

**Note:** In this mode, the fan speed switches over to low speed and cannot be selected.

### SLEEP MODE

- The sleep button can only be set in cooling mode.
- The machine enters sleep mode, all lights are dimmed at the same time, and the buzzer is disabled in sleep mode:
  - 1 hour after sleep mode is turned ON, the set temperature will automatically increase by 1°C, and after another hour, the set temperature will automatically increase by 1°C.
- After sleep mode has been ON for 2 hours, the set temperature will no longer increase.
- Fan output during sleep mode: the fan automatically turns to low setting. The wind speed output is low wind and cannot be adjusted. After exiting sleep mode, the wind speed can again be set by the user.

## TIMER SETTING (1HOUR-24HOURS)

The timer has two ways of operation:

To turn off (When power on)	→	Press the Timer key to turn on the timer function.	→	Press Up /Down repeatedly to set the delay OFF time.
To turn on (When power off)	→	Press the Timer key to turn on the timer function.	→	Press Up /Down repeatedly to set the delay ON time.
Cancel timer	→	Press Up /Down repeatedly until the LED shows '00'. <b>Note:</b> by pressing POWER you will also cancel the timer		

## OVERLOAD PROTECTION

In the event of a power loss, to protect the compressor there is a 3-minute delay until the compressor restarting.

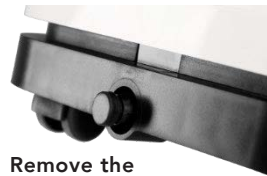
## DRAINAGE

### SELF- EVAPORATING SYSTEM

The self-evaporating system uses the collected water to cool the condenser coils for better, more efficient performance. There is no need to empty the drainage tank in cooling mode, except in high humidity conditions. In drying mode, the drainage tank needs to be emptied. The condensed water evaporates at the condenser and disappears through the exhaust hose.

For continuous operation or unattended operating in drying mode, please connect the attached drain hose to the unit. Condensed water can automatically run into a bucket or drain.

- Switch off the unit before operating.
- Remove the plug of the water outlet opening and keep it in safe area.
- Securely and properly connect the drain hose. Make sure it is not kinked and clear of obstruction.
- Place the outlet of hose over a drain or bucket and ensure that water can freely flow out of the unit.
- Do not submerge the end of hose into water; otherwise it can cause "Air Lock" in the hose.



Remove the rubber sealing plug



Continuous drain hose

## TO AVOID WATER SPILLAGE

- As the negative pressure of condensate drain pan is large, tilt the drain hose downward toward the floor. It is appropriate that the degree of inclination should exceed 20 degrees.
- Straighten the hose to avoid a trapping water in the hose.

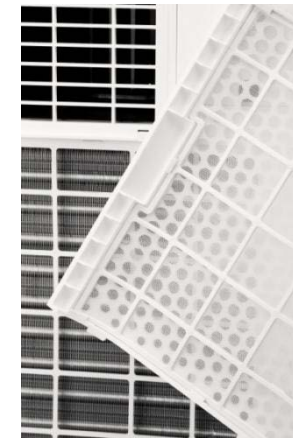
## DISASSEMBLY AND CLEANING

### CLEANING THE AIR FILTER (EVERY TWO WEEKS)

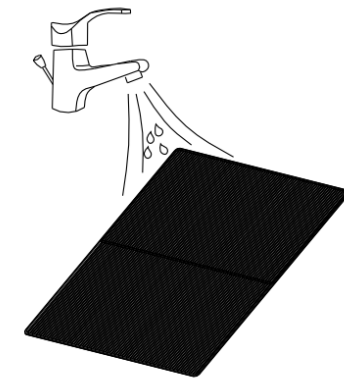
Dust collects on the filter and restricts the airflow. The restricted airflow reduces the efficiency of the system and if it becomes blocked it can cause damage to the unit.

The air filter requires regular cleaning. The air filter is removable for easy cleaning. Do not operate the unit without an air filter, or the evaporator may be contaminated.

1. Press POWER button to switch off the unit and unplug the power cord.
2. Remove the filter mesh from the unit.
3. Use a vacuum cleaner to vacuum dust from the filter.
4. Turn the filter over and rinse the air filter under running water. Let the water run through the filter in the opposite direction of air flow. Set aside and allow the filter to air dry completely before reinstalling.



Switch off the unit and remove the two air filters.



Rinse the air filter under running water.

## TROUBLESHOOTING

Problem	Possible reasons	Solutions
The unit is not operating	Check the power connection in securely.	Insert the power cord securely into the wall outlet.
	Check if the water level indicator lights up?	Empty the drain pan by removing the rubber plug.
	Check the room temperature.	The range of operating temperature is 5-35°C.
The unit works with reduced capacity.	Check the air filter for dust.	Clean the air filter as necessary.
	Check if the air duct is blocked.	Clear the obstacle.
	Check if the door or window is open.	Keep the door and windows closed.
	Check if the desired operating mode is selected and the temperature is properly set.	Set the mode and temperature at desired point according the manual (see page 16).
	The exhaust hose is detached.	Make sure the exhaust hose is securely attached.
Water Leakage	Overflow while moving the unit.	Empty the water tank before transport.
	Check if the drain hose is kinked or bends.	Straighten the hose to avoid a trapping water.
Excessive Noise	Check if the unit is securely positioned.	Place the unit on horizontal and firm floor.
	Check if any loose, vibrating parts.	Secure and tighten the parts.
	Noise sounds like water flowing.	Noise comes from flowing refrigerant. This is normal.

## STORAGE

Long-Term Storage - If you will not be using the unit for an extended period of time (more than a few weeks) it is best to clean the unit and dry it out completely. Please store the unit per the following steps:

1. Unplug the unit and remove exhaust hose and window kit store with the unit.
2. Drain the remaining water from the unit.
3. Clean the filter and let the filter dry completely in a shaded area.
4. Re-install the filter at its position.
5. The unit must be kept in upright position when in storage.
6. Preserving the machine in ventilating, dry, non- corrosive gas and safe place indoor.

## WIFI DESCRIPTION

## INFORMATION ON THE APP "WILIFE"

The "WiLife" app is available for android and iOS. Scan the corresponding QR code to get directly to the download.



## INFORMATION ON HOW TO USE THE APP

This appliance allows you to operate the appliance via your home net-work. A prerequisite is a permanent Wi-Fi connection to your router and the free app "WiLife".

We recommend disconnecting the appliance from the power supply when you are away from home to prevent unintentional switching on while you are on the road.

## SYSTEM REQUIREMENT FOR USE OF THE APP

- iOS 11.0 or higher
- Android 5.0 or higher
- Bluetooth 4.2

### COMMISSIONING VIA THE APP FOR WIFI

1. Install the "WiLife" app. Create a user account.
2. Activate the Wi-Fi function in the settings of your appliance.
3. Place the appliance at a distance of about 5 meters to your router.
4. Press and hold the Timer button for about 3 seconds. The Wi-Fi lamp will flash rapidly.
5. Launch the app and select "+".
6. Select the "Air Conditioner" menu and follow the instructions on the display.
7. Once the appliance has been successfully connected, the Wi-Fi lamp lights up. Now you can operate the appliance using the app.
8. Press and hold the Timer button for about 3 seconds, the appliance disconnect, the Wi-Fi lamp lights off.

### COMMISSIONING VIA THE APP FOR BLUETOOTH

1. Install the "WiLife" app. Create a user account.
2. Turn on the Bluetooth on your smartphone.
3. Turn on the device.
4. Within 10 meters of the device, open the app, and the device should appear automatically on the bottom of your screen
5. Follow further instructions on the app

### TROUBLESHOOTING CONNECTION

Problem	Solutions
The device does not show up in the app when you try to connect with wi-fi	Make sure your Bluetooth is turned on on your smartphone. Turn your internet off for 3 minutes. Keep your phone within 10 meters of the unit and try to connect again using bluetooth.
The device does not show up in the app when you try to connect with Bluetooth	Press the + in the upright corner and press "large home appliances", then add air conditioner. Press and hold the timer button 3 seconds until the wi-fi lamp flashed rapidly. Then follow the instructions on the app
The app is not working to control the device	Make sure you are connected to the wi-fi. If the wi-fi is down, make sure you are connected to Bluetooth  Turn the device off for 5 seconds and turn it back on.  Restart the application.



## GUARANTEE

Wilfa issues a 5 year guarantee on this product from the day of purchase is done. The guarantee covers production failure or defects that arise during the guarantee period. Your purchase receipt works as proof towards retailer if claiming your guarantee.

The guarantee is valid only for products that are bought and used in private households. The guarantee is not valid if the product is used commercially. The guarantee is not valid if the product is misused, used by negligence, if not following instructions given by Wilfa, if modified or if unauthorized reparation is done. The guarantee is also not valid for normal wear of the product, misuse, lack of maintenance, use of wrong electrical voltage or:

- Overloading of product
- Parts which are normally worn down
- Parts you can expect being replaced regularly (e.g. filter, battery etc.)

**Instructions manual is also available at our website [wilfa.com](http://wilfa.com)**

## PRODUCT SPECIFICATIONS

AC1W-7000/AC1B-7000C: 220-240V~, 50Hz, 780W, 130g R290  
 AC1B-9000C: 220-240V~, 50Hz, 1005W, 170g R290

## SUPPORT AND SPARE PARTS

For support please visit us at **wilfa.com**, and see our customer service/support page. Here you will find frequently asked questions, spare parts, tips and tricks and all our contact information.

## RECYCLABILITY



This marking indicates that this product should not be disposed with other household wastes throughout the EU. To prevent possible harm to the environment or human health from uncontrolled waste disposal, recycle it responsibly to promote the sustainable reuse of material resources. To return your used device, please use the return and collection systems or contact the retailer where the product was purchased. They can take this product for environmentally safe recycling free of charge.



Releasing refrigerant into atmosphere is strictly forbidden!

NO

NO

## INNHold

26	VIKTIGE SIKKERHETSINSTRUKSJONER
28	SYMBOLER FRA ENHETEN OG BRUKSANVISNINGEN
29	FORHOLDSREGLER VED BRUK
32	PRODUKTOVERSIKT
33	INSTALLASJON
33	FESTE AVTREKKSSLANGE
35	BETJENINGSPANEL OG DISPLAY
36	FJERNKONTROLL
36	INNSTILLINGER
38	TIDSINNSTILLING (1–24 TIMER)
38	AVLØP
39	DEMONTERING OG RENGJØRING
40	FEILSØKING
41	OPPBEVARING
41	WI-FI-BESKRIVELSE
44	GARANTI
45	PRODUKTSPEKIFIKASJONER
45	SUPPORT OG RESERVEDELER
45	GJENVINNING

## VIKTIGE SIKKERHETSINSTRUKSJONER

NO

- Les denne bruksanvisningen nøye før du bruker apparatet, og ta vare på den til senere bruk. Den er også tilgjengelig på nettstedet vårt: [wilfa.no](http://wilfa.no)
- Produktet kan brukes av barn fra 8 år og oppover, samt personer med nedsatte fysiske, sansemessige eller mentale evner, eller mangel på erfaring og kunnskap, hvis de er under tilsyn eller har fått anvisninger om sikker bruk av produktet og er klar over farene forbundet med bruken. Ikke la barn leke med apparatet. Rengjøring og vedlikehold skal ikke gjøres av barn uten at de er under tilsyn.
- Apparatet er kun beregnet for innendørs, ikke-industriell, ikke-kommersiell husholdningsbruk.
- Hvis strømledningen er ødelagt, må den skiftes av produsenten, en servicetekniker eller lignende kvalifisert person for å unngå farlige situasjoner.
- Enheten er bare konstruert for bruk med R-290 (propangass) som angitt kjølemiddel.
- Kjølemiddelsløyfen er forseglet. Service skal kun utføres av kvalifiserte teknikere!
- Ikke tøm kjølemiddelet ut i atmosfæren.
- R-290 (propangass) er brennbar og tyngre enn luft. Den samler seg først i lave områder, men kan sirkuleres av vifter.

- Hvis det er propangass til stede eller du mistenker det, må du ikke la ukvalifisert personell forsøke å finne årsaken.
- Propangassen som brukes i enheten er luktfri.
- Mangelen på lukt indikerer ikke mangel på frigjort gass.
- Hvis det oppdages lekkasje, må alle personer i rommet umiddelbart evakueres, rommet må ventileres og det lokale brannvesenet kontaktes for å informere om at det har oppstått en propanlekkasje.
- Ikke la noen personer returnere til rommet før den kvalifiserte serviceteknikeren er ankommet, og teknikeren sier at det er trygt å komme tilbake til rommet.
- Det må ikke brukes åpen ild, sigaretter eller andre mulige antenningskilder inne i eller i nærheten av enhetene.
- Komponentene er utviklet for propan, ikke-tennfarlig og uten gnistdannelse. Komponenter skal kun skiftes ut med identiske reservedeler.

NO

HVIS DENNE ADVARSELEN IKKE FØLGES, KAN DET FØRE TIL EKSPLOSJON, DØDSFALL, PERSONSKADE OG SKADE PÅ EIENDOM.

NO

Miljøvennlig R290 brukes som kjølemiddel. R290 har ingen skadelig innvirkning på ozonlaget (ODP), en ubetydelig drivhuseffekt (GWP) og er tilgjengelig over hele verden. På grunn av de effektive energiegenskapene er R290 svært godt egnet som kjølevæske for dette bruksområdet. Spesielle forholdsregler må tas på grunn av kjølevæskens høye brennbarhet.

#### SYMBOLER FRA ENHETEN OG BRUKSANVISNINGEN



Advarsel

Denne enheten bruker et brennbart kjølemiddel. Hvis kjølemiddelet lekker og kommer i kontakt med brann- eller varmedelen, vil det dannes skadelig gass og oppstå brannrisiko.



Les BRUKSANVISNINGEN nøye før bruk.



Ytterligere informasjon er tilgjengelig i BRUKSANVISNINGEN, SERVICEHÅNDBOKEN og lignende.



Servicepersonell må lese BRUKSANVISNINGEN og SERVICEHÅNDBOKEN nøye før bruk.

#### FORHOLDSREGLER VED BRUK

ADVARSEL – Slik reduserer du risikoen for brann, elektrisk støt og personskader eller skade på eiendom:

NO

- Bruk alltid enheten fra en strømkilde med lik spenning, frekvens og kapasitet som angitt på produktets identifikasjonsplate.
- Bruk alltid en jordet stikkontakt.
- Trekk ut støpselet når apparatet rengjøres eller ikke er i bruk.
- Må ikke betjenes med våte hender. Unngå at det søles vann på enheten.
- Apparatet må ikke senkes ned i eller utsettes for regn, fuktighet eller annen væske.
- Ikke la enheten kjøre uten tilsyn. Ikke vipp eller snu enheten.
- Ikke trekk ut støpselet mens apparatet er i drift.
- Ikke trekk i ledningen.
- Ikke bruk skjøteledning eller adapterplugg.
- Ikke plasser gjenstander på enheten.
- Ikke klatre eller sitt på enheten.



NO

- Ikke stikk fingre eller andre gjenstander inn i luftuttaket.
- Ikke berør luftinntaket eller aluminiumsribbene på enheten.
- Ikke bruk enheten hvis den har falt ned, er skadet eller viser tegn på funksjonsfeil.
- Ikke rengjør apparatet med kjemikalier.
- Sørg for at enheten er plassert langt unna ild, brennbare eller eksplosive gjenstander.
- Enhetens skal installeres i henhold til bestemmelsene for lokalt ledningsnett.
- Må ikke brukes til å akselerere avriming eller rengjøring utenom det som anbefales av produsenten.
- Apparatet skal oppbevares i et rom uten tennkilder i kontinuerlig drift (for eksempel: åpne flammer, gassapparat eller elektrisk varmeapparat).
- Apparatet må oppbevares slik at det ikke oppstår mekaniske skader.
- Må ikke deles eller brennes, selv ikke etter bruk.
- Vær oppmerksom på at kjølemedier ikke nødvendigvis lukter.

NO

- Rørinstallasjon skal beskyttes mot fysiske skader og skal ikke installeres i et rom uten ventilasjon, hvis det er mindre enn 8 m<sup>2</sup>.
- Nasjonale og internasjonale regler for behandling av gass må overholdes.
- Hold alle nødvendige ventilasjonsåpninger fri for hindringer.
- Apparatet skal oppbevares i et godt ventilert område som spesifisert for bruk.



ADVARSEL

Enhver person som er involvert i arbeidet med eller bryter inn i en kjølemiddelkrets, skal ha et gyldig sertifikat fra en bransjeakkreditert vurderingsmyndighet, som autoriserer deres kompetanse om sikker håndtering av kjølemedier i samsvar med en anerkjent vurderingsspesifikasjon.

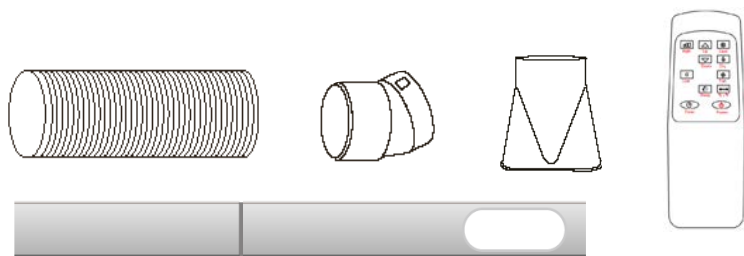
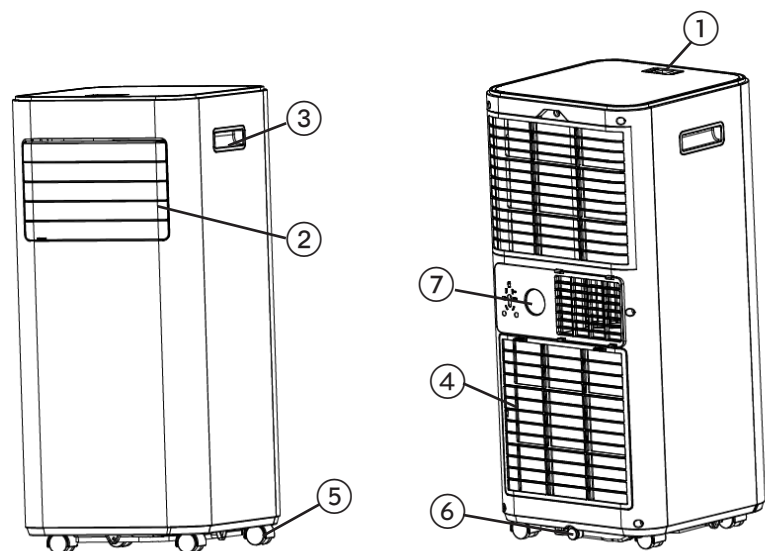


ADVARSEL

Service må kun utføres som anbefalt av utstyrprodusenten. Vedlikehold og reparasjoner som krever assistanse fra annet kvalifisert personell skal utføres under tilsyn av personen som er kompetent i bruken av brennbare kjølemedier.

## PRODUKTOVERSIKT

NO



1. Betjeningspanel
2. Luftuttak med justerbart spjeld
3. Håndtak
4. Luftinntak med luftfilter
5. Hjul
6. Avløpsåpning
7. Luftuttak

- Tilbehør:
1. Avtrekksslange
  2. Slangekobling
  3. Vindussett adapter
  4. Fjernkontroll
  5. Vinduslist

**OBS!** Utseendet er kun ment som referanse. Se det reelle produktet for detaljert informasjon.

## INSTALLASJON

## VELG STED

- Hvis enheten vippes mer enn 45°, må den stå oppreist i minst 24 timer før oppstart.
- Plasser enheten på et fast, jevnt underlag på et sted med minst 50 cm avstand til nærliggende gjenstander for å sikre god luftsirkulasjon.
- Må ikke brukes i nærheten av vegger, gardiner eller andre gjenstander som kan blokkere luftinntaket og luftuttaket. Hold luftinntaket og luftuttaket fri for hindringer.
- Enheten må aldri installeres på steder der den kan bli utsatt for:
  - Varmekilder som radiatorer, varmespjeld, komfyrer eller andre produkter som produserer varme.
  - Direkte sollys
  - Mekanisk vibrasjon eller støt
  - For mye støv
  - Manglende ventilasjon, som skap eller bokhylle
  - Ujevn overflate

## ADVARSEL!



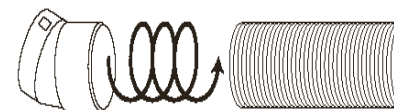
- Installer enheten i rom over 8 m<sup>2</sup>.
- Ikke installer enheten på et sted der det kan lekke brennbar gass.

## FESTE AVTREKKSSLANGE

Klimaanlegget må ventileres utendørs, slik at avtrekksluften kan slippe ut av rommet som kommer fra produktet, inneholder restvarme og fuktighet.

Ikke bytt ut eller forleng avtrekksslangen, da dette vil føre til redusert effektivitet og kan føre til at enheten slår seg av på grunn av lavt mottrykk.

**Trinn 1:** Koble slangekoblingen til den ene enden av avtrekksslangen.

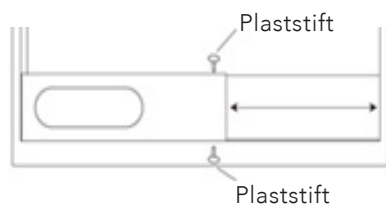


NO

**Trinn 2:** Koble vindussett adapter til den andre enden av avtrekksslengen.

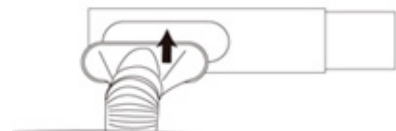


**Trinn 3:** Juster vinduslisten til bredden eller høyden på vinduet ditt. Sett inn plastikkstiften for å låse posisjonen.



NB: Ikke koble vinduslisten til vinduet. Dette trinnet er for å justere størrelsen på vinduslisten. Vinduslisten skal fjernes etter størrelsen er tilpasset.

**Trinn 4:** Koble vinduslisten til vindussett adapteren. Sjekk at alle koblinger er stramme og installert riktig.

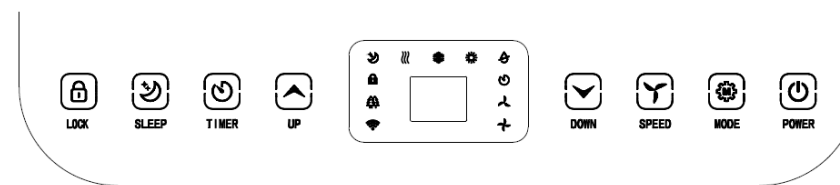


**Trinn 5:** Koble vinduslisten til vinduet.



**Trinn 6:** Justere lengden på den fleksible avtrekksslengen og unngå bøy på slangen. Plasser deretter klimaanlegget nær en stikkontakt.

## BETJENINGSPANEL OG DISPLAY

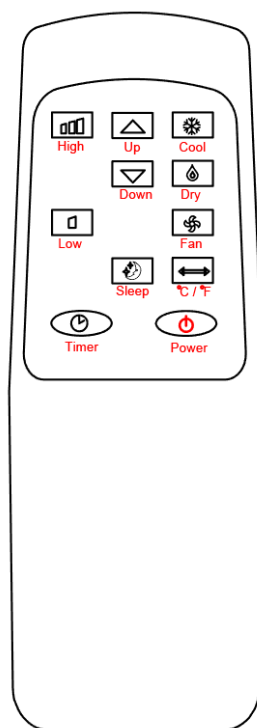


1	LOCK	Trykk og hold denne tasten for å slå på eller av barnesikringen
2	MODE	Trykk for å skifte driftsmodus mellom vifte, kjøling og luftavfukter.
3	UP	Øker ønsket temperatur (16 °C–32 °C) eller tidsinnstilling
4	POWER	Trykk for å slå maskinen av eller på
5	DOWN	Reduserer ønsket temperatur eller tidsinnstilling.
6	SPEED	Trykk for å endre viftehastigheten mellom HØY og LAV
7	TIMER	Angir når enheten skal starte eller stoppe automatisk.
8	SLEEP	Trykk for å gå i hvilemodus. Kan bare brukes i kjølemodus
9	Viftehastighet	Display for høy eller lav viftehastighet
10	LED-display	Viser innstilling av romtemperatur eller tid
11	Mode-display	Dette viser modusinnstillingen mellom vifte, kjøling og luftavfukter

NO

NO

## FJERNKONTROLL



## INNSTILLINGER

### SLÅ AV OG PÅ

- Trykk på POWER for å slå på enheten.
- Trykk på MODE-knappen for å velge ønsket driftsmodus.
- Trykk på POWER igjen for å slå av enheten.

### DRIFTSMODUS

Enheden har fire driftsmodus: Cool (kjølig), Dry (tørr), Fan (vifte), Sleep (hvile).

### KJØLING AV ROMMET

- Velg kjølemodus for å senke temperaturen i rommet.
- Trykk på MODE-knappen gjentatte ganger til kjølelampen lyser.
- Trykk på Up/Down-knappen for å justere temperaturen som vises på displayet. Temperaturen kan stilles inn mellom 16 °C og 32 °C.

- Trykk på SPEED-knappen gjentatte ganger til ønsket viftehastighet lyser.
  - Juster det indre spjeldet for hånd for å styre luftstrømmens retning horisontalt.
- OBS!** Klimaenlegget stopper hvis romtemperaturen er lavere enn den valgte temperaturen.

### VENTILERE ROMMET

- Trykk på MODE-knappen gjentatte ganger til viftelampen lyser.
- I ventilasjonsmodus sirkuleres luften i rommet, men kjøles ikke.
- Trykk på SPEED-knappen gjentatte ganger for å velge viftehastighet.

### TØRKE ROMMET

- Trykk på MODE-knappen på betjeningspanelet eller fjernkontrollen. Tørrlampen lyser. Viftehastighet kan ikke velges. Brukeren må koble slangen til avløpet i bunnen av enheten.
- OBS!** I denne modusen går viftehastigheten over til lav hastighet, og kan ikke velges.

### HVILEMODUS

- Sleep-knappen kan bare settes i kjølemodus.
- Maskinen går i hvilemodus, alle lampene dempes samtidig og summeren deaktiveres i hvilemodus:
  - 1 time etter at hvilemodus er slått PÅ, vil den innstilte temperaturen automatisk øke med 1 °C, og etter enda en time vil den innstilte temperaturen automatisk øke med 1 °C.
- Etter at hvilemodus har vært PÅ i 2 timer, vil den innstilte temperaturen ikke lenger øke.
- Vifteutgang i hvilemodus: viften går automatisk over til lav innstilling. Viftehastigheten er lav og kan ikke justeres. Når brukeren har gått ut av hvilemodus, kan viftehastigheten stilles inn igjen.

## TIDSINNSTILLING (1–24 TIMER)

Tidsinnstillingen kan brukes på to måter:

Slå av (Når strømmen er på)	→	Trykk på Timer-knappen for å slå på tidsinnstilling.	→	Trykk på Up/Down gjentatte ganger for å stille inn AV-tid.
Slå på (når strømmen er slått av)	→	Trykk på Timer-knappen for å slå på tidsinnstilling.	→	Trykk på Up/Down gjentatte ganger for å stille inn PÅ-tid.
Avbryte timer	→	Trykk på Up/Down gjentatte ganger til LED-displayet viser «00». <b>OBS!</b> Ved å trykke på POWER vil du også avbryte timeren		

## OVERBELASTNINGSVERN

For å beskytte kompressoren ved strømbrudd, er det en forsinkelse på 3 minutter til kompressoren startes på nytt.

## AVLØP

### SELVFORDAMPENDE SYSTEM

Det selvfordampende systemet bruker det oppsamlede vannet til å kjøle ned kondensatorsløyfene for bedre og mer effektiv ytelse. Det er ikke nødvendig å tømme avløpstanken i kjølemodus, unntatt under forhold med høy fuktighet. I tørkemodus må avløpstanken tømmes. Kondensvannet fordamper ved kondensatoren og forsvinner gjennom avtrekksslengen.

For kontinuerlig drift eller ubetjent drift i tørkemodus, må du koble avløpsslengen til enheten. Kondensert vann kan renne automatisk ned i en bøtte eller et avløp.

- Slå av enheten før bruk.
- Fjern pluggen fra avløpsåpningen og oppbevar den på et trygt sted.
- Koble avløpsslengen godt til. Pass på at den ikke ligger i klem og er fri for hindringer.
- Plasser avløpet på avløpsslengen over et avløp eller en bøtte, og sørg for at vannet kan renne fritt ut av enheten.
- Ikke senk slangeenden ned i vann, da dette kan føre til «luftlommer» i slangen.



## FOR Å UNNGÅ VANNSØL

- Ettersom det negative trykket i dryppannen er stort, vipper du avløpsslengen nedover mot gulvet. Det er hensiktsmessig at helningsgraden bør overstige 20 grader.
- Rett ut slangen for å unngå at det kommer vann inn i slangen.

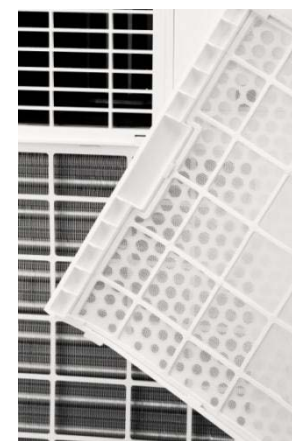
## DEMONTERING OG RENGJØRING

### RENGJØRING AV LUFTFILTERET (ANNENHVER UKE)

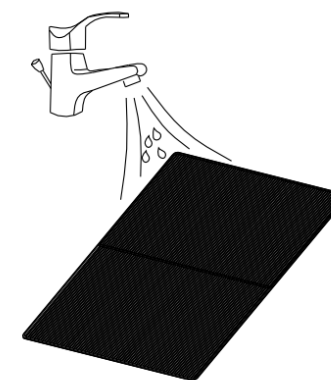
Støv samler seg på filteret og begrenser luftstrømmen. Den begrensede luftstrømmen reduserer systemets effektivitet, og kan forårsake skade på enheten hvis den blokkeres.

Luftfilteret må rengjøres regelmessig. Luftfilteret kan fjernes for enkel rengjøring. Ikke bruk enheten uten luftfilter, da kjøleelementet kan være forurenset.

1. Trykk på POWER-knappen for å slå av enheten og trekk ut strømledningen.
2. Fjern filterduken fra enheten.
3. Bruk en støvsuger til å støvsuge støv fra filteret.
4. Snu filteret og skyll luftfilteret under rennende vann. La vannet renne gjennom filteret i motsatt retning av luftstrømmen. La filteret lufttørke helt før det settes inn igjen.



Slå av enheten og fjern de to luftfiltrene.



Skyll luftfilteret under rennende vann.

## FEILSØKING

Problem	Mulige årsaker	Løsninger
Enheden fungerer ikke	Sjekk strømtilkoblingen.	Sett støpselet godt inn i stikkkontakten.
	Kontroller om vannivålampen lyser.	Tøm dryppannen ved å fjerne gummipluggen.
	Kontroller romtemperaturen.	Driftstemperaturen er 5–35 °C.
Enheden fungerer med redusert kapasitet.	Sjekk luftfilteret for støv.	Rengjør luftfilteret etter behov.
	Undersøk om luftkanalen er blokkert.	Fjern eventuelle blokkeringer.
	Se om dører eller vinduer er åpne.	Hold dører og vinduer lukket.
	Kontroller om ønsket driftsmodus er valgt og at temperaturen er riktig innstilt.	Still inn ønsket modus og temperatur i henhold til bruksanvisningen (se side 16).
	Avtrekksslangen er koblet fra.	Kontroller at avtrekksslangen er godt festet.
Vannlekkasje	Vann flyter over ved flytting av enheten.	Tøm vanntanken før transport.
	Kontroller om avløpslangen er bøyd eller har knekk.	Rett ut slangen for å unngå oppsamling av vann.
Overdreven støy	Kontroller at enheten sitter som den skal.	Plasser enheten på et horisontalt og fast gulv.
	Kontroller om det finnes løse, vibrerende deler.	Fest og stram delene.
	Støy høres ut som vannstrøm.	Støy kommer fra flytende kjølemiddel. Dette er normalt.

## OPPBEVARING

Langtidsoppbevaring – Hvis enheten ikke skal brukes på en lang stund (mer enn noen få uker), er det best å rengjøre enheten og tørke den helt. Oppbevar enheten på følgende måte:

1. Koble fra enheten og fjern avtrekksslangen og vindussettet med enheten.
2. Tøm ut resten av vannet fra enheten.
3. Rengjør filteret og la det tørke helt i et skyggefullt område.
4. Sett inn filteret på nytt.
5. Enheten må stå i oppreist stilling under oppbevaring.
6. Oppbevar maskinen på ventilert, tørt, ikke-etsende gass og trygt sted innendørs.

## WI-FI-BESKRIVELSE

## INFORMASJON OM APPEN «WILIFE»

«WiLife»-appen er tilgjengelig for Android og iOS. Skann den tilhørende QR-koden for å komme direkte til nedlasting.



## INFORMASJON OM HVORDAN DU BRUKER APPEN

Lar deg betjene apparatet via hjemmenettverket. En forutsetning er en permanent Wi-Fi-tilkobling til ruterens og gratisappen «WiLife».

Vi anbefaler at du kobler apparatet fra strømmettet når du er borte fra hjemmet, for å unngå at apparatet slås utilsiktet på når du er på farten.

## SYSTEMKRAV FOR BRUK AV APPEN

- iOS 11.0 eller nyere
- Android 5.0 eller nyere
- Bluetooth 4.2

NO

## IGANGKJØRING VIA APPEN FOR WI-FI

1. Installer appen «WiLife». Opprett en brukerkonto.
2. Aktiver Wi-Fi-funksjonen på apparatet.
3. Plasser apparatet ca. 5 meter fra ruterer.
4. Trykk og hold nede Timer-knappen i 3 sekunder. Wi-Fi-lampen blinker raskt.
5. Start appen og velg «+».
6. Velg «Air Conditioner» (klimaanlegg)-menyen og følg instruksjonene på skjermen.
7. Wi-Fi-lampen lyser når apparatet er tilkoblet. Nå kan du betjene produktet ved hjelp av appen.
8. Trykk og hold inne Timer-knappen i ca. 3 sekunder, apparatet kobles fra og Wi-Fi-lampen slås av.

## IGANGKJØRING VIA APPEN FOR BLUETOOTH

1. Installer appen «WiLife». Opprett en brukerkonto.
2. Slå på Bluetooth på smarttelefonen.
3. Slå på enheten.
4. Åpne appen innen 10 meter fra enheten, og enheten vises automatisk nederst på skjermen
5. Følg instruksjonene i appen

## FEILSØKINGSTILKOBLING

Problem	Løsninger
Enheden vises ikke i appen når du prøver å koble til via Wi-Fi	Sørg for at Bluetooth er aktivert på smarttelefonen. Slå av Internett i 3 minutter. Hold telefonen innenfor 10 meter fra enheten og prøv å koble til igjen med Bluetooth.
Enheden vises ikke i appen når du prøver å koble til via Bluetooth	Trykk på + i det stående hjørnet og trykk på «Large home appliances» (store husholdningsapparater) og deretter på «Air Conditioner» (klimaanlegg). Trykk og hold inne Timer-knappen i 3 sekunder til Wi-Fi-lampen blinker raskt. Følg instruksjonene i appen
Enheden kan ikke kontrolleres via appen	Sørg for at du er koblet til Wi-Fi. Hvis Wi-Fi er nede, må du sørge for at du er koblet til Bluetooth  Slå av enheten i 5 sekunder og slå den på igjen.  Start appen på nytt.

NO

NO



## GARANTI

Wilfa gir 5 års garanti på dette produktet fra kjøpsdatoen. Garantien dekker produksjonsfeil eller defekter som oppstår i garantiperioden. Kjøpskvitteringen fungerer som bevis overfor forhandleren ved eventuelle garantikrav.

Garantien er kun gyldig for produkter som er kjøpt og brukt i privathusholdning. Garantien gjelder ikke hvis produktet brukes kommersielt. Garantien er ikke gyldig hvis produktet misbrukes, ved uaktsom bruk eller hvis du ikke følger instruksjonene fra Wilfa, eller ved uautoriserte modifiseringer og reparasjoner. Garantien dekker heller ikke normal bruksslitasje på produktet, misbruk, mangel på vedlikehold, bruk av feil elektrisk spenning eller:

- Overbelastning av produktet
- Vanlige slitedeler
- Deler som må skiftes ut regelmessig (f.eks. filter, batteri osv.)

**Bruksanvisningen er også tilgjengelig på nettstedet vårt: [wilfa.no](http://wilfa.no)**

NO

## PRODUKTSPEKIFIKASJONER

AC1W-7000/AC1B-7000C: 220-240V~, 50Hz, 780W, 130g R290  
AC1B-9000C: 220-240V~, 50Hz, 1005W, 170g R290

## SUPPORT OG RESERVEDELER

For support, besøk **oss på [wilfa.no](http://wilfa.no)**, og se vår kundeservice/supportside. Her finner du vanlige spørsmål, reservedeler, tips og triks, samt all kontaktinformasjon.

## GJENVINNING



Dette merket betyr at produktet ikke må kastes sammen med vanlig husholdningsavfall i EU/EØS-området. For å unngå skade på miljø og mennesker, er det viktig at dette produktet gjenvinnes. Lever produktet til en miljøstasjon eller ta kontakt med butikken der du kjøpte det. De kan ta seg av produktet for gjenvinning helt kostnadsfritt.



Det er strengt forbudt å slippe ut kjølemiddel i atmosfæren!



SE

SE

## INNEHÅLL

48	VIKTIGA SÄKERHETSANVISNINGAR
50	SYMBOLER FRÅN ENHETEN OCH BRUKSANVISNINGEN
51	FÖRSIKTIGHETSÅTGÄRDER VID DRIFT
54	PRODUKTÖVERSIKT
55	INSTALLATION
55	MONTERA UTLOPPSSLANGEN
57	KONTROLLPANEL OCH DISPLAY
58	FJÄRRKONTROLL
58	INSTÄLLNINGAR
60	TIMER-INSTÄLLNING (1 TIMME - 24 TIMMAR)
60	DRÄNERING
61	DEMONTERING OCH RENGÖRING
62	FELSÖKNING
63	FÖRVARING
63	WIFI-BESKRIVNING
66	GARANTI
67	PRODUKTSPECIFIKATIONER
67	SUPPORT OCH RESERVDELAR
67	ÅTERVINNINGSBARHET

## VIKTIGA SÄKERHETSANVISNINGAR

- Läs denna bruksanvisning noggrant före användning och spara den för framtida bruk. Den finns även på vår webbplats wilfa.com.
- Denna apparat kan användas av barn från 8 års ålder eller äldre och av personer med nedsatt fysisk, sensorisk eller mental förmåga, samt personer med bristande erfarenhet och kunskap, om de övervakas eller instrueras beträffande en säker användning av produkten och förstår de risker som är förknippade med användningen. Låt aldrig barn leka med apparaten. Rengöring och underhåll får inte utföras av barn utan övervakning.
- Apparaten är endast avsedd för inomhusanvändning och för hemmabruk. Den är inte avsedd för masstillverkning eller kommersiell användning.
- Av säkerhetsskäl måste en skadad elkabel bytas ut av tillverkaren, dennes servicerepresentant eller motsvarande.
- Enheten är endast konstruerad för att användas med R-290-gas (propan) som köldmedium.
- Köldmedieslingan är förseglad. Endast behörig tekniker får utföra service!

SE

- Släpp inte ut köldmediet i atmosfären.
- R-290 (propan) är brandfarligt och tyngre än luft. Den ackumuleras först i låga belägna utrymmen men kan cirkuleras av fläktar.
- Om propangas förekommer eller misstänks, låt inte utbildad personal försöka hitta orsaken.
- Propangasen som används i enheten är luktfri.
- Avsaknaden av lukt tyder inte på avsaknad av utströmmande gas.
- Om en läcka upptäcks, evakuera omedelbart alla personer från utrymmet, ventilera rummet och kontakta brandkåren och informera om att en propanläcka har inträffat.
- Låt inga personer återvända in i rummet förrän den kvalificerade serviceteknikern har anlänt och teknikern meddelar att det är säkert att återvända.
- Inga öppna lågor, cigaretter eller andra möjliga antändningskällor får användas inuti eller i närheten av enheterna.
- Komponenterna är konstruerade för propan och antänder inte eller skapar gnistor. Komponenter får endast bytas ut mot identiska reservdelar.

SE

UNDERLÅTENHET ATT EFTERLEVA DENNA VARNING KAN RESULTERA I EXPLOSION, DÖDSFALL, PERSON- OCH EGENDOMSSKADOR.

Det miljövänliga R290 används som köldmedium. R290 har ingen skadlig inverkan på ozonskiktet (ODP), försumbar växthuseffekt (GWP) och är tillgänglig över hela världen. R290 är tack vare sina effektiva energiegenskaper mycket lämpligt som köldmedium för denna tillämpning. Särskilda försiktighetsåtgärder måste vidtas på grund av kylvätskans höga antändlighet.

SE

#### SYMBOLER FRÅN ENHETEN OCH BRUKSANVISNINGEN



Varning

Denna enhet använder ett brandfarligt köldmedium. Om köldmedel läcker ut och kommer i kontakt med eld eller värmande del skapas en skadlig gas och det uppstår risk för brand.



Läs BRUKSANVISNINGEN noggrant före användning.



Mer information finns i BRUKSANVISNINGEN, SERVICEHANDBOKEN och liknande.



Servicepersonal måste noggrant läsa igenom bruksanvisningen och servicemanualen före användning.

#### FÖRSIKTIGHETSÅTGÄRDER VID DRIFT

VARNING - för att minska risken för brand, elstötar eller personskador på personer eller egendom:

- Använd alltid enheten från en strömkälla med samma spänning, frekvens och märkdata som anges på produktens märkskylt.
- Använd alltid ett jordat eluttag.
- Dra ur nätsladden vid rengöring eller när den inte används.
- Använd inte med våta händer. Förhindra att vatten spills på enheten.
- Sänk inte ned eller utsätt enheten för regn, fukt eller annan vätska.
- Lämna aldrig enheten utan uppsikt när den är igång. Luta eller vänd inte enheten.
- Dra inte ut kontakten medan enheten är i drift.
- Dra aldrig i nätsladden för att bryta strömförsörjningen.
- Använd aldrig förlängningsladd.
- Placera inga föremål på enheten.
- Klättra eller sitt inte på enheten.

SE

- Stick inte in fingrar eller andra föremål i luftutblåset.
- Vidrör inte luftintaget eller enhetens aluminiumflänsar.
- Använd inte enheten om den har tappats, skadats eller visar tecken på produktfel.
- Rengör inte apparaten med kemikalier.
- Se till att enheten inte kommer i kontakt med eld, lättantändliga eller explosiva föremål.
- Apparaten ska installeras i enlighet med gällande nationella föreskrifter för kabeldragning och elsäkerhet.
- Försök aldrig påskynda avfrostningsprocessen eller rengöringen av apparaten på annat sätt än det som rekommenderas av tillverkaren.
- Apparaten ska förvaras i ett rum utan kontinuerligt pågående driftkällor (till exempel öppen låga, gasdriven apparat eller elektrisk värmare i drift).
- Förvara apparaten så att den inte riskerar att utsättas för mekanisk skada.
- Får inte delas eller brännas, inte ens efter användning.
- Observera att köldmedier kan vara luktfria.

- Rörledningar ska skyddas mot fysiska skador och får inte installeras i ett oventilerat utrymme om det är mindre än 8 m<sup>2</sup>.
- Uppfyller kraven i nationell gaslagstiftning.
- Se till att ventilationsöppningarna inte blockeras eller täpps igen.
- Apparaten ska förvaras i ett välventilerat utrymme vars storlek motsvarar den rumsyta som specificeras för drift.



## VARNING

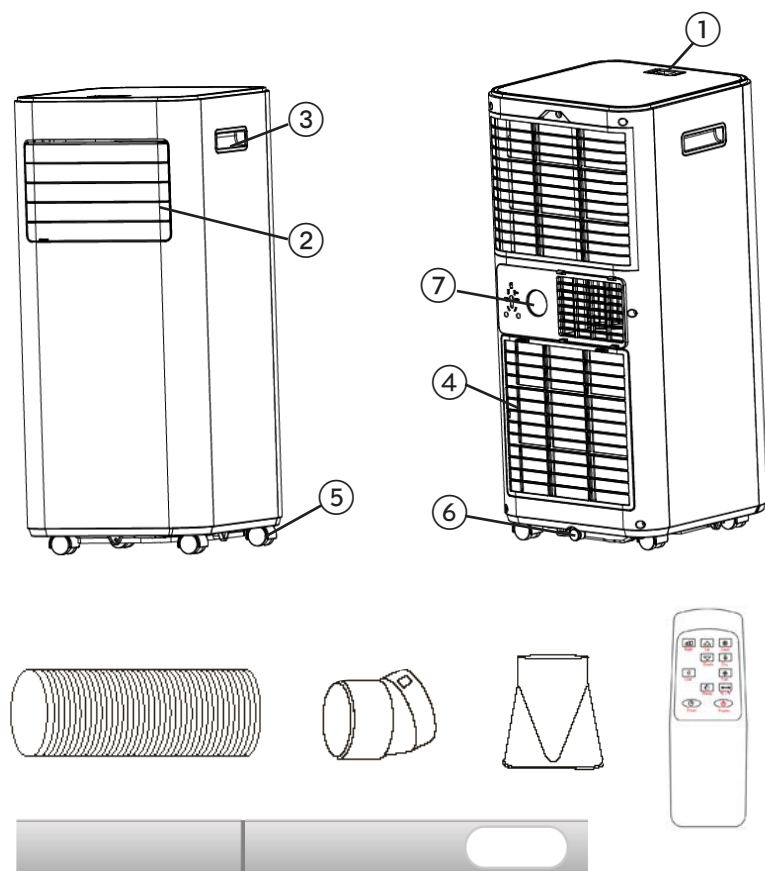
Alla personer som arbetar med eller bryter sig in i en köldmediekrets ska ha giltigt certifikat från en branschackrediterad vederbörlig myndighet, som auktoriserar deras kompetens att hantera köldmedier på ett säkert sätt i enlighet med erkänd branschspecifikation.



## VARNING

Service får endast utföras enligt rekommendationerna från utrustningens tillverkare. Underhåll och reparation som kräver assistans av annan kompetent personal ska utföras under övervakning av den person som är kompetent att använda brandfarliga köldmedier.

## PRODUKTÖVERSIKT



1. Kontrollpanel
2. Luftutlopp med justerbart galler
3. Handtag
4. Luftintag med luftfilter
5. Hjul
6. Dräneringshål
7. Luftutlopp

- Tillbehör:
1. Utloppsslang
  2. Slangkoppling
  3. Adapter för fönstersats
  4. Fjärrkontroll
  5. Fönsterfästet

**Obs!** Visningen är endast avsett som referens. Se den verkliga produkten för detaljerad information.

## INSTALLATION

## VÄLJA PLATS

- Om enheten lutats mer än 45° ska den stå upprätt i minst 24 timmar innan den startas.
- Placera enheten på en stadig, plan yta på ett område med minst 50 cm fritt utrymme runt om för att möjliggöra korrekt luftcirkulation.
- Kör den inte i nära väggar, gardiner eller andra föremål som kan blockera luftintag och -utlopp. Håll luftintag och luftutlopp fria från hinder.
- Installera aldrig enheten där den kan utsättas för:
  - Värmekällor som radiatorer, spisar eller andra produkter som genererar värme.
  - Direkt solljus
  - Mekaniska vibrationer eller stötar
  - För mycket damm
  - Otillräcklig ventilation, t.ex. skåp eller bokhylla
  - Ojämn yta

## VARNING!



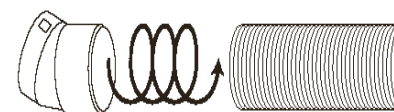
- Installera enheten i rum som är större än 8 m<sup>2</sup>.
- Installera inte enheten på en plats där brandfarlig gas kan läcka ut.

## MONTERA UTLOPPSSLANGEN

Luftkonditioneringen måste ventileras utomhus så att frånluften som innehåller spillvärme och fukt kan komma ut ur rummet.

Byt inte ut eller förläng utloppsslangen eftersom detta försämrar effektiviteten, eller i värsta fall stänger ner enheten på grund av lågt baktryck.

**Steg 1:** Anslut slangkopplingen till ena änden av utloppsslangen.

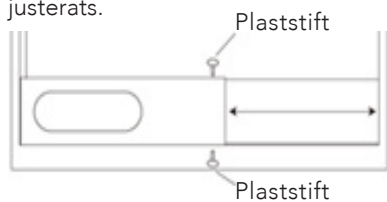


**Steg 2:** Anslut fönstersatsadaptern till den andra änden av utloppsslangen.

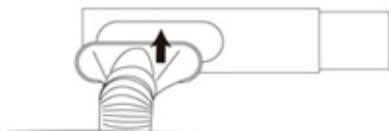


**Steg 3:** Justera fönsterfästena till bredden eller höjden på ditt fönster och sätt in plaststiften för att fixera önskad position.

Observera: Montera inte fönsterfästet på fönstret. Detta steg är bara för att anpassa till storleken på ditt fönster. Fästet ska tas bort efter att storleken har justerats.



**Steg 4:** Anslut fönsterfästet till fönstersatsadaptern. Se till att alla anslutningar är täta och korrekt installerade.

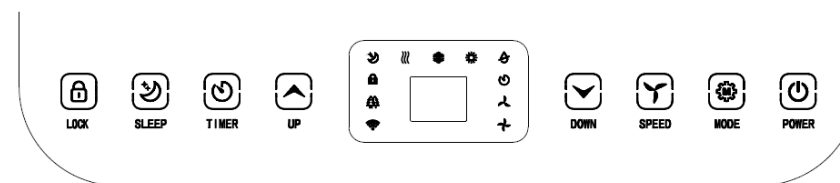


**Steg 5:** Anslut fönsterfästet till fönstret.



**Steg 6:** Justera längden på den böjbara utloppsslangen och undvik veck i slang. Placera sedan enheten nära ett eluttag.

## KONTROLLPANEL OCH DISPLAY

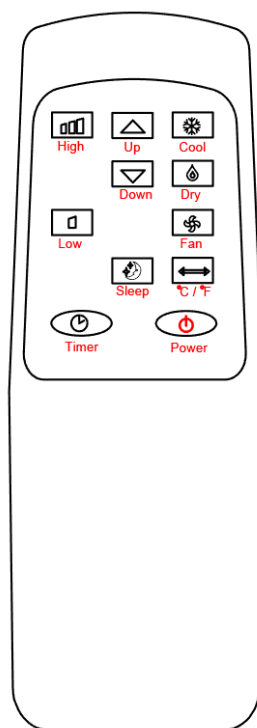


1	LOCK	Tryck och håll på den här knappen för att slå på eller stänga av barnspärrfunktionen
2	MODE	Lägesknapp - tryck för att växla mellan fläkt-, kyl- och avfuktningläge.
3	UP	Ökar den önskade temperaturen (16 °C-32 °C) eller timerinställningen
4	POWER	Tryck för att slå på eller stänga av maskinen
5	DOWN	Sänker den önskade temperaturen eller timerinställningen.
6	SPEED	Tryck för att växla fläkthastighet mellan HÖG och LÅG
7	TIMER	Anger en tid när enheten ska starta eller stoppa automatiskt.
8	SLEEP	Tryck på för att gå in i viloläge. Kan endast aktiveras i kylningläge
9	Fläkthastighet	Displayen för fläkthastighet vid HÖG eller LÅG
10	LED-display	Denna lysdiod visar rumstemperaturen eller tidsinställningen
11	Lägesdisplay	Visar lägesinställningen mellan fläkt, kylning och avfuktning

SE

SE

## FJÄRRKONTROLL



SE

## INSTÄLLNINGAR

## START OCH AVSTÄNGNING

- Tryck på POWER för att slå på enheten.
- Tryck på MODE-knappen för att välja önskat driftläge.
- Tryck på POWER igen för att stänga av strömmen.

## DRIFTLÄGE

Enheter har fem driftlägen: Cool (kyla), dry (avfukta), fan (ventilera), sleep (viloläge).

## KYLA RUMMET

- Välj kylningsläget för att sänka temperaturen i ditt rum.
- Tryck på MODE-knappen upprepade gånger tills COOL-indikatorn tänds.
- Tryck på upp-/nedknappen för att justera temperaturen som visas på skärmen. Temperaturen kan ställas in mellan 16 °C och 32 °C.

- Tryck på hastighetsknappen upprepade gånger tills önskad fläkthastighetsindikator tänds.
  - Justera det inre gallret för hand för att styra luftflödets riktning horisontellt.
- Obs!** Luftkonditioneringen stoppas om rumstemperaturen är lägre än den valda temperaturen.

## VENTILERA RUMMET

- Tryck på MODE-knappen upprepade gånger tills FAN-indikatorn tänds.
- I ventilationsläge cirkuleras rumsluften utan att kylas.
- Tryck på knappen SPEED upprepade gånger för att välja fläkthastighet efter behov.

## AVFUKTA RUMMET

- Tryck på MODE-knappen på kontrollpanelen eller fjärrkontrollen tills DRY-indikatorn tänds. Fläkthastigheten kan inte väljas. Användaren ska ansluta slangen till utloppet längst ned på enheten.
- Obs!** I detta läge växlar fläkthastigheten över till låg hastighet och kan inte väljas.

## STRÖMSPARLÄGE

- Vilolägesknappen kan endast ställas in i kylningsläge.
- Maskinen går in i viloläge, alla lampor slocknar samtidigt och summern inaktiveras i viloläge:
  - 1 timme efter att viloläget har slagits på ökar den inställda temperaturen automatiskt med 1 °C, och efter ytterligare en timme höjs den inställda temperaturen automatiskt med 1 °C.
- När viloläget har varit på i 2 timmar kommer den inställda temperaturen inte längre att öka.
- Fläkeffekt i viloläge: fläkten går automatiskt över till låg inställning. Lufthastigheten är svag och kan inte justeras. När viloläget har avslutats kan lufthastigheten ställas in på nytt av användaren.

SE

## TIMER-INSTÄLLNING (1 TIMME - 24 TIMMAR)

Timern kan användas på två sätt:

Stänga av (När strömmen är på)	→	Tryck på timerknappen för att slå på timerfunktionen.	→	Tryck på Up /Down upprepade gånger för att ställa in fördröjningstiden.
Slå på (när strömmen är av)	→	Tryck på timerknappen för att slå på timerfunktionen.	→	Tryck på Up /Down upprepade gånger för att ställa in fördröjningstiden.
Avbryt timer	→	Tryck upprepade gånger på Upp/Ned tills lysdioden visar "00". <b>ANM.:</b> Genom att trycka på POWER avbryter du även timern		

SE

## ÖVERBELASTNINGSSKYDD

För att skydda kompressorn vid strömavbrott finns en fördröjning på 3 minuter tills kompressorn startar om.

## DRÄNERING

### SJÄLVFÖRÅNGNINGSSYSTEM

Självförångningssystemet använder det uppsamlade vattnet för att kyla kondensatorerna för bättre och effektivare prestanda. Dräneringstanken behöver inte tömmas i kylningsläge, förutom vid hög luftfuktighet. I avfuktningläge måste dräneringstanken tömmas. Det kondenserade vattnet förångas vid kondensorn och försvinner genom utloppslangen.

För kontinuerlig drift eller oövervakad drift i avfuktningläge, anslut dräneringsslangen till enheten. Kondensvatten kan automatiskt rinna ner i en hink eller ett avlopp.

- Stäng av enheten först.
- Ta bort pluggen från vattenutloppsöppningen och förvara den på en säker plats.
- Anslut avtappningslangen ordentligt och säkert. Kontrollera att den inte är vikt eller har några hinder.
- Placera slangutloppet över ett avlopp eller en hink och se till att vattnet fritt kan flöda ut ur enheten.
- Sänk inte ner slangändan i vatten eftersom det kan orsaka "luftlås" i slangen.



Ta bort gummitätningssluggen



Slang för kontinuerlig tömning

## FÖR ATT UNDVIKA VATTENSPILL

- Luta avtappningsslangen nedåt mot golvet eftersom kondensatavtappningskärlets undertryck är stort. Det är lämpligt att lutningsgraden överstiger 20 grader.
- Räta ut slangen för att undvika att vatten fastnar i den.

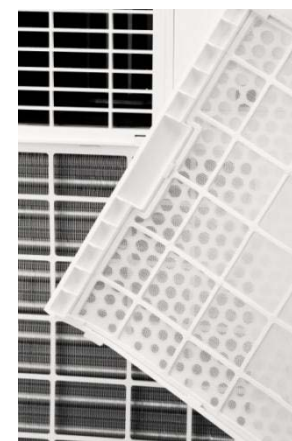
## DEMONTERING OCH RENGÖRING

### RENGÖRING AV LUFTFILTER (VARANNAN VECKA)

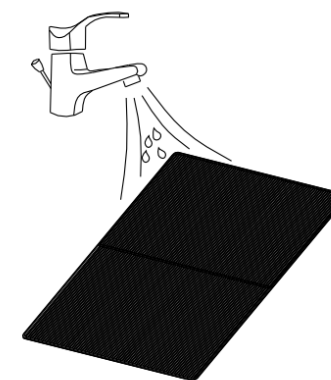
Damm samlas på filtret och begränsar luftflödet. Det begränsade luftflödet minskar systemets effektivitet och om det blockeras kan det orsaka skador på enheten.

Luftfiltret måste rengöras regelbundet. Luftfiltret är avtagbart för enkel rengöring. Använd inte enheten utan luftfilter eftersom förångaren då kan bli förorenad.

1. Tryck på POWER-knappen för att stänga av enheten och dra ut stickkontakten.
2. Ta bort filternätet från enheten.
3. Använd en dammsugare för att dammsuga bort damm från filtret.
4. Vänd på filtret och skölj det under rinnande vatten. Låt vattnet rinna genom filtret i motsatt riktning mot luftflödet. Ställ åt sidan och låt filtret lufttorka helt innan du sätter tillbaka det.



Stäng av enheten och ta bort de två luftfiltren.



Skölj luftfiltret under rinnande vatten.

SE



## FELSÖKNING

Problem	Möjliga orsaker	Åtgärder
Enheten fungerar inte	Kontrollera att strömanslutningen sitter fast ordentligt.	Sätt i strömsladden ordentligt i vägguttaget.
	Kontrollera om vattennivå-indikatorn tänds?	Töm dräneringskärlet genom att ta bort gummipluggen.
	Kontrollera rumstemperaturen.	Intervallet för driftstemperatur är 5-35 °C.
Enheten arbetar med reducerad kapacitet.	Kontrollera luftfiltret med avseende på damm.	Rengör luftfiltret.
	Kontrollera om luftkanalen är blockerad.	Rensa hindret.
	Kontrollera om dörren eller fönstret är öppet.	Håll dörren och fönstren stängda.
	Kontrollera att önskat driftläge är valt och att temperaturen är korrekt inställd.	Ställ in läge och temperatur vid önskad punkt enligt bruksanvisningen (se sidan 16).
	Utloppsslangen är lossad.	Kontrollera att utloppsslangen är ordentligt fastsatt.
Vattenläckage.	Överfyllning vid förflyttning av enheten.	Töm vattentanken före transport.
	Kontrollera om dräneringsslangen är böjd eller trasslig.	Räta ut slangen för att undvika att vatten fastnar.
Kraftigt buller	Kontrollera att enheten är säkert placerad.	Placera enheten på ett horisontellt och stabilt golv.
	Kontrollera om det finns lösa, vibrerande delar.	Säkra och dra åt delarna.
	Det låter som om vatten flödar.	Missljudet kommer från flödande köldmedium. Detta är normalt.

## FÖRVARING

Långtidsförvaring - om du inte ska använda enheten under en längre tid (mer än några veckor) är det bäst att rengöra den och låta den bli helt torr. Förvara enheten enligt följande steg:

1. Koppla ur enheten och ta bort utloppsslangen och fönstersatsen som förvaras tillsammans med enheten.
2. Tappa av kvarvarande vatten från enheten.
3. Rengör filtret och låt det torka helt på en skuggig yta.
4. Sätt tillbaka filtret på sin plats.
5. Enheten måste hållas i upprätt läge vid förvaring.
6. Förvara maskinen i en ventilerad, torr miljö som skyddad från rost och gas.

## WIFI-BESKRIVNING

## INFORMATION OM APPEN "WILIFE"

Appen "WiLife" finns för Android och iOS. Skanna motsvarande QR-kod för att komma direkt till nedladdningen.



## INFORMATION OM HUR APPEN ANVÄNDS

Med den här apparaten kan du styra apparaten via ditt hemnätverk. En förutsättning är en permanent Wi-Fi-anslutning till din router och gratisappen "WiLife".

Vi rekommenderar att du kopplar bort apparaten från elnätet när du inte är hemma för att förhindra att den slås på av misstag när du är borta.

## SYSTEMKRAV FÖR ANVÄNDNING AV APPEN

- iOS 11.0 eller senare
- Android 5.0 eller senare
- Bluetooth 4.2

## FELSÖKNING AV ANSLUTNING

Problem	Åtgärder
Enheten visas inte i appen när du försöker ansluta till Wi-Fi	Kontrollera att Bluetooth är aktiverat på din smartphone. Stäng av Internet i 3 minuter. Håll telefonen inom 10 meter från enheten och försök att ansluta igen med Bluetooth.
Enheten visas inte i appen när du försöker ansluta till Bluetooth	Tryck på + i det övre hörnet och tryck på "large home appliances" och lägg sedan till air conditioner. Håll in Timer-knappen i 3 sekunder tills Wi-Fi-lampan blinkar snabbt. Följ instruktionerna i appen.
Appen fungerar inte för att styra enheten	Kontrollera att du är ansluten till Wi-Fi. Om Wi-Fi-nätverket är nere, kontrollera att du är ansluten till Bluetooth  Stäng av enheten i 5 sekunder och slå på den igen.  Starta om appen.

## DRIFTSÄTTNING VIA APPEN FÖR WIFI

1. Installera appen "WiLife". Skapa ett användarkonto.
2. Aktivera Wi-Fi-funktionen i apparatens inställningar.
3. Placera apparaten cirka 5 meter från routern.
4. Tryck på och håll nere Timer-knappen i cirka 3 sekunder. Wi-Fi-lampan blinkar snabbt.
5. Starta appen och välj "+".
6. Välj meny "Air Conditioner" och följ instruktionerna på displayen.
7. När apparaten har anslutits tänds Wi-Fi-lampan. Nu kan du använda appen för att styra apparaten.
8. Håll in Timer-knappen i cirka 3 sekunder, apparaten kopplas från, Wi-Fi-lampan släcks.

## DRIFTSÄTTNING VIA APPEN FÖR BLUETOOTH

1. Installera appen "WiLife". Skapa ett användarkonto.
2. Aktivera Bluetooth på din smartphone.
3. Slå på apparaten.
4. Öppna appen inom 10 meter från enheten så visas enheten automatiskt längst ned på skärmen
5. Följ ytterligare instruktioner på appen

SE

SE



SE

## GARANTI

Wilfa ger en garanti på fem (5) år på denna produkt från och med inköpsdatum. Garantin täcker tillverkningsfel eller defekter som uppstår under garantiperioden. Ditt inköpskvitto fungerar som bevis gentemot återförsäljaren om du åberopar garanti.

Garantin gäller endast produkter som köps och används för privat bruk, för normala hushållsändamål. Garantin gäller inte om produkten används för kommersiella ändamål. Garantin gäller inte om produkten används felaktigt eller oaktsamt, om du underlåter att följa Wilfas anvisningar, om produkten har modifierats eller om reparation har utförts av en icke auktoriserad person/verkstad. Garantin omfattar vidare inte fel som uppstår till följd av normalt slitage, felaktig användning, bristande underhåll eller felaktig elektrisk spänning eller:

- Överbelastning av produkten
- Delar som normalt slits
- Delar som du kan förvänta dig ska bytas ut regelbundet (t.ex. filter, batteri osv.)

Bruksanvisningen finns även på vår hemsida [wilfa.com](http://wilfa.com)

## PRODUKTSPECIFIKATIONER

AC1W-7000/AC1B-7000C: 220-240V~, 50Hz, 780W, 130g R290  
AC1B-9000C: 220-240V~, 50Hz, 1005W, 170g R290

## SUPPORT OCH RESERVDELAR

För support besök oss på [wilfa.com](http://wilfa.com) och se vår kundservice-/support sida. Här hittar du svar på vanliga frågor, reservdelar, tips och tricks och all vår kontaktinformation.

## ÅTERVINNINGSBARHET



Denna märkning anger att produkten inte får kastas med vanligt hushållsavfall inom EU. För att förhindra skador på miljö och människor ska produkten lämnas in och återvinnas i enlighet med gällande miljöbestämmelser. Den uttjänta produkten kan lämnas på angivna återvinningsanläggningar eller lämnas till din lokala återförsäljare. Där kan du lämna produkten för miljövänlig återvinning gratis.



Det är strängt förbjudet att släppa ut köldmedium i atmosfären!

SE

DK

## INDHOLD

70	VIGTIGE SIKKERHEDSANVISNINGER
72	SYMBOLER FRA ENHED OG BRUGERVEJLEDNING
73	FORHOLDSREGLER VED BRUG
76	PRODUKTOVERSIGT
77	INSTALLATION
77	MONTERING AF UDSUGNINGSSLANGE
79	KONTROLPANEL OG DISPLAY
80	FJERNBETJENING
80	INDSTILLINGER
82	TIMERINDSTILLING (1 TIME – 24 TIMER)
82	DRÆNING
83	DEMONTERING OG RENGØRING
84	FEJLFINDING
85	OPBEVARING
85	WIFI-BESKRIVELSE
88	GARANTI
89	PRODUKTSPECIFIKATIONER
89	SUPPORT OG RESERVEDELE
89	GENANVENDELIGHED

DK

## VIGTIGE SIKKERHEDSANVISNINGER

- Læs denne vejledning grundigt inden brug, og gem den til fremtidig reference. Den er også tilgængelig på vores hjemmeside; wilfa.com.
- Apparatet må benyttes af børn fra 8 år og personer med begrænsede fysiske, sensoriske eller mentale evner eller mangel på erfaring og viden, hvis de er under opsyn eller har fået vejledning i brug af produktet på en sikker måde og forstår den risiko, der er forbundet hermed. Børn må ikke lege med apparatet. Rengøring og vedligeholdelse må ikke foretages af børn uden opsyn.
- Dette produkt er kun beregnet til indendørs, ikke-industrielt, ikke-kommercielt husholdningsbrug.
- Hvis strømledningen er beskadiget, skal den udskiftes af producenten, en fagmand eller en lignende kvalificeret person for at undgå farlige situationer.
- Enheden er kun designet til brug med R-290(propan) gas som angivet kølemiddel.
- Kølemiddelkredsløbet er forseget. Service bør kun forsøges udført af en kvalificeret tekniker!
- Udled ikke kølemidlet i atmosfæren.

DK

- R-290 (propan) er brændbar og tungere end luft. Det akkumuleres først i lave områder, men kan cirkuleres rundt med ventilatorer.
- Hvis propangas er til stede, eller der bare er mistanke om det, må utrænnet personale ikke forsøge at finde årsagen.
- Propangassen i enheden har ingen lugt.
- Den manglende lugt indikerer ikke manglende udslip af gas.
- Hvis der opdages en lækage, skal personer omgående evakueres fra butikken, rummet skal ventileres og de lokale brandmyndigheder kontaktes for at advisere dem om, at der er opstået propanlækage.
- Lad ikke nogen personer gå tilbage til rummet, før den kvalificerede tekniker er ankommet, og teknikeren adviserer, at det er sikkert at vende tilbage til rummet.
- Brug ikke åben ild, cigaretter eller andre mulige antændingskilder inde i eller i nærheden af enhederne.
- Komponentdele er designet til propan og ikke-opflammende og gnistfri. Komponentdele må kun erstattes med identiske reparationsdele.

DK

MANGLENDE OVERHOLDELSE AF DENNE ADVARSEL KAN MEDFØRE EKSPLOSION, DØD, PERSONSKADE OG SKADE PÅ EJENDOM.

Den miljøvenlige R290 anvendes som kølemiddel. R290 har ingen skadelig påvirkning af ozonlaget (OPD), en ubetydelig drivhuseffekt (GWP) og kan fås over hele verden. På grund af de effektive energiegenskaber er R290 meget anvendeligt som kølemiddel til dette apparat. Der skal tages hensyn til særlige forholdsregler på grund af kølemidlets høje brændbarhed.

DK

#### SYMBOLER FRA ENHED OG BRUGERVEJLEDNING



Advarsel

Denne enhed bruger brændbart kølemiddel. Hvis kølemiddel lækker og kommer i kontakt med ild eller varmedele, danner det en skadelig gas, og der er risiko for brand.



Læs BRUGERVEJLEDNINGEN grundigt inden brug.



Se flere oplysninger i BRUGERVEJLEDNING, SERVICEMANUAL og lignende.



Servicepersonale skal læse BRUGERVEJLEDNINGEN og SERVICEMANUALEN grundigt inden brug.

#### FORHOLDSREGLER VED BRUG

ADVARSEL – For at begrænse risikoen for brand, elektrisk stød, personskade eller skade på ejendom:

- Betjen altid enheden fra en strømkilde med samme spænding, frekvens og dimensionering som angivet på produktets mærkeplade.
- Brug altid en stikkontakt med jord.
- Tag stikket ud under rengøring, eller hvis enheden ikke er i brug.
- Må ikke betjenes med våde hænder. Undgå at spilde vand på enheden.
- Undlad at nedsænke enheden i vand eller udsætte den for regn, fugt eller nogen anden væske.
- Lad ikke enheden køre uden opsyn. Undgå at vippe eller vende enheden.
- Tag ikke stikket ud, mens enheden kører.
- Træk ikke i ledningen, når du vil tage stikket ud.
- Brug ikke forlængerledning eller et adapterstik.
- Læg ikke genstande på enheden.
- Undgå at kravle eller sidde på enheden.
- Stik ikke fingre eller andre genstande ind i luftudtaget.

DK

- Undgå at røre ved luftindtaget eller aluminiumfanerne på enheden.
- Betjen ikke apparatet, hvis det har været tabt, er beskadiget eller viser tegn på produktfejl.
- Apparatet må ikke rengøres med nogen kemikalier.
- Sørg for, at enheden er langt fra ild, brændbare eller eksplosive genstande.
- Enheden skal installeres i henhold til nationale ledningsnetregler.
- Brug ikke metoder til at fremme optøningsprocessen eller rengøring, undtagen hvad der anbefales af producenten.
- Apparatet skal opbevares i et rum uden uafbrudte betjeningskilder (fx: åben ild, og betjening af gasapparater eller betjening af elektrisk varmeapparat).
- Apparatet skal opbevares på en måde, så mekaniske skader undgås.
- Undgå at lappe sammen eller brænde – også efter brug.
- Vær opmærksom på, at kølemiddel ikke lugter.
- Rørledninger skal beskyttes mod fysiske skader og må ikke installeres i et uventileret rum, hvis rummet er mindre end 8 m<sup>2</sup>.

DK

- Vær opmærksom på at overholde nationale gasregler.
- Hold nødvendige ventilationsåbninger fri for blokeringer.
- Apparatet skal opbevares i et godt ventileret område, hvor rummets størrelse svarer til rumstørrelsen specificeret for betjening.



ADVARSEL

Personer, der er involveret i at arbejde på eller bryde ind i et kølemiddelkredsløb, skal være i besiddelse af et gyldigt certifikat fra en branchegodkendt vurderingsmyndighed, som dokumenterer deres kompetencer til at håndtere kølemidler sikkert i overensstemmelse med en brancheanerkendt vurderingsspecifikation.

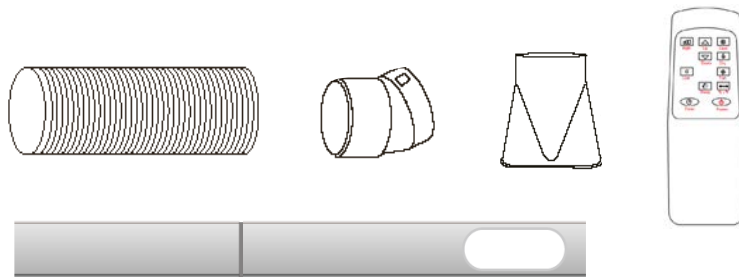
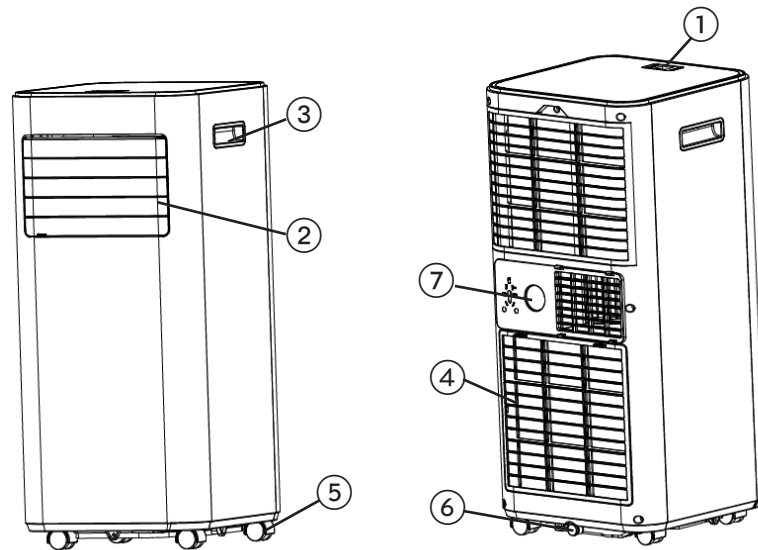


ADVARSEL

Service må kun udføres i henhold til producentens anbefalinger. Vedligeholdelse og reparation, der kræver hjælp fra andet uddannet personale, skal udføres under opsyn af en person, der er kompetent inden for brugen af brændbare kølemidler.

DK

## PRODUKTOVERSIGT



1. Kontrolpanel
2. Luftudtag og justerbart spjæld
3. Håndtag
4. Luftindtag med luftfilter
5. Hjul
6. Drænåbning
7. Luftudledning

- Tilbehør:
1. Udsugningsslange
  2. Slangekobling
  3. Vindueskit adapter
  4. Fjernbetjening
  5. Vinduesbeslag

**Bemærk:** Illustrationen er kun til reference. Se det rigtige produkt for detaljerede oplysninger.

## INSTALLATION

### VÆLG PLACERING

- Hvis enheden vippes mere end 45°, skal den stå oprejst i mindst 24 timer, inden den startes.
- Placer enheden på et solidt, plant underlag med mindst 50 cm fri luft omkring den, for at sikre ordentlig luftcirkulation.
- Betjen ikke enheden i nærheden af vægge, gardiner eller andre genstande der kan blokere luftindtag og luftudtag. Hold luftindtag og -udtag fri for forhindringer.
- Installer aldrig enheden hvor den kan blive udsat for:
  - Varmekilder som radiatorer, varmespjæld, ovne eller andre produkter, der kan afgive varme.
  - Direkte sollys
  - Mekanisk vibration eller stød
  - Overdreven støj
  - Manglende ventilation, som et skab eller en bogreol
  - Ujævnt underlag

### ADVARSEL!



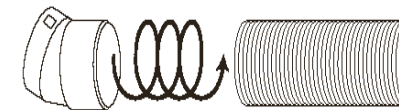
- Installer enheden i et rum på mere end 8 m<sup>2</sup>.
- Installer ikke enheden et sted, hvor brændbar gas kan lække.

### MONTERING AF UDSUGNINGSSLANGE

Airconditionanlægget skal have ventilation udefra, så udsugningsluften, der kommer fra apparatet og indeholder spildvarme og fugt, kan komme ud af rummet.

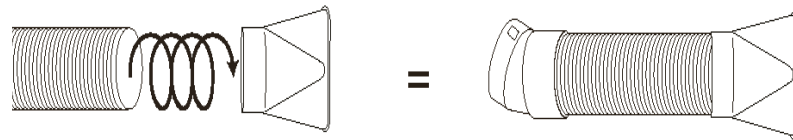
Undgå at udskifte eller forlænge udsugningsslangen, da det kan medføre forringet effektivitet eller endda nedlukning af enheden på grund af lavt modtryk.

**Trin 1:** Tilslut ledningskoblingen til den ene ende af udsugningsslangen.

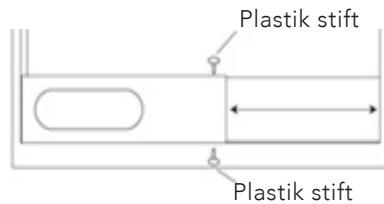




**Trin 2:** Tilslut vindueskit-adapteren til den anden ende af udsugningsslangen.

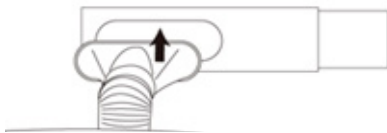


**Trin 3:** Juster vinduesbeslagene til bredden eller højden af dit vindue, og indsæt plastikstifterne for at fastgøre den ønskede position.



Bemærk: Monter ikke vinduesbeslaget på vinduet. Dette trin er kun for at tilpasse til størrelsen på dit vindue. Beslaget skal fjernes efter størrelsen er justeret.

**Trin 4:** Tilslut vinduesbeslaget til vindueskit adapteren. Sørg for, at alle forbindelser er tætte og installeret korrekt.

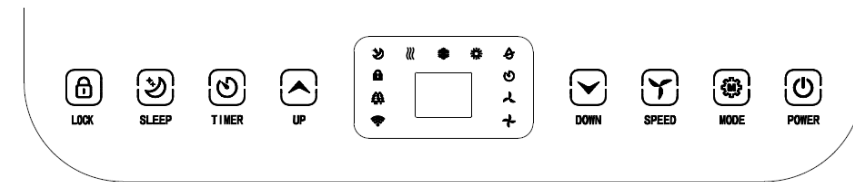


**Trin 5:** Tilslut vinduesbeslaget til vinduet.



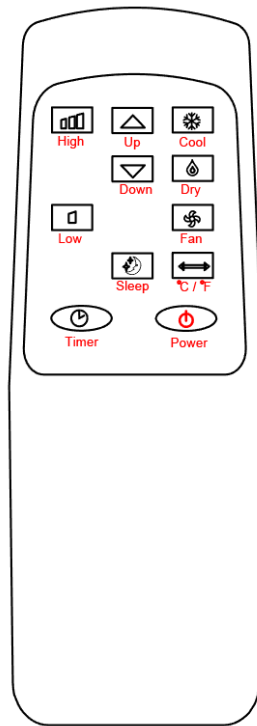
**Trin 6:** Juster længden på den fleksible udsugningsslange, og undgå knæk på slangen. Placer derefter airconditionanlægget tæt på en stikkontakt.

## KONTROLPANEL OG DISPLAY



1	LÅS	Tryk og hold på denne knap for at slå børnelåsen til eller fra
2	MODE	Mode-knap Tryk på den for at skifte betjeningsfunktion mellem blæser, køling og affugter.
3	OP	Skru op for den ønskede temperatur (16 °C – 32 °C) eller tidsindstilling
4	TÆND	Tryk for at tænde eller slukke for apparatet
5	NED	Skru ned for den ønskede temperatur eller tidsindstilling.
6	HASTIGHED	Tryk for at ændre blæserhastighed mellem HØJ og LAV
7	TIMER	Indstiller et tidspunkt, hvor enheden automatisk starter eller stopper.
8	DVALE	Tryk for at vælge dvaleindstilling. Kan kun vælges i kølefunktion
9	Blæserhastighed	Displayet for blæserhastighed i høj eller lav
10	LED display	LED viser rumtemperatur eller tidsindstilling
11	Mode-display	Viser mode-indstillinger mellem blæser, køling og affugter

## FJERNBETJENING



DK

## INDSTILLINGER

### START OG STOP

- Tryk på START for at tænde for enheden.
- Tryk på MODE-knappen for at vælge ønsket indstilling.
- Tryk på START igen for at slukke.

### BETJENINGSFUNKTION

Enheden har fem betjeningsfunktioner: Kold, tør, blæser, dvale.

### KØLING AF DIT RUM

- Vælg kølefunktion for at sænke temperaturen i dit rum.
- Tryk på MODE-knappen flere gange, indtil KØLE-indikatoren lyser.
- Tryk på op/ned for at justere temperaturen, der vises på displayet. Temperaturen kan indstilles mellem 16 °C og 32 °C.

- Tryk på HASTIGHED flere gange, indtil den ønskede blæserhastighed lyser.
- Juster det indre spjæld med hånden for at styre retningen af luftstrømmen vandret.

**Bemærk:** Airconditionanlægget stopper, hvis rumtemperaturen er lavere end den valgte temperatur.

### VENTILERING AF DIT RUM

- Tryk på MODE-knappen flere gange, indtil BLÆSER-indikatoren lyser.
- I ventilationsindstilling cirkuleres luften i rummet, men den køles ikke.
- Tryk på HASTIGHED flere gange for at vælge ønsket blæserhastighed.

### TØRRING AF DIT RUM

- Tryk på MODE-knappen på kontrolpanelet eller fjernbetjeningen til tørre-indikatoren lyser. Blæserhastigheden kan ikke vælges. Brugeren skal tilslutte slangen afløbsudgangen i bunden af enheden.

**Bemærk:** I denne indstilling skifter blæserhastigheden over til lav hastighed og kan ikke vælges.

### DVALE

- Dvaleknappen kan kun bruges i kølefunktion.
- Maskinen går i dvale, alle lys dæmpes samtidig, og summeren er afbrudt i dvaletilstand:
  - 1 time efter dvale er slået til, vil den indstillede temperatur automatisk stige med 1 °C, og efter endnu en time vil den indstillede temperatur automatisk stige med 1 °C.
- Efter dvaleindstilling har været slået til i 2 timer, stiger den indstillede temperatur ikke længere.
- Blæserudledning i dvale: blæseren skifter automatisk til lav indstilling. Hastigheden for den udledte luft er lav og kan ikke justeres. Efter dvaletilstand, kan lufthastigheden igen indstilles af brugeren.

DK

## TIMERINDSTILLING (1 TIME – 24 TIMER)

Timeren har to betjeningsmuligheder:

Slå fra (Når enheden er tændt)	→ Tryk på "Timer"-knappen for at tænde for tidsindstilling.	→ Tryk på op/ned flere gange for at indstille den forsinkede sluktid.
Tænd (når den er slukket)	→ Tryk på "Timer"-knappen for at tænde for tidsindstilling.	→ Tryk på op/ned flere gange for at indstille den forsinkede tændetid.
Annuller timer	→ Tryk på op/ned flere gange, indtil LED viser '00'. <b>Bemærk:</b> hvis du trykker på TÆND, annullerer du også timeren	

DK

### OVERBELASTNINGSBESKYTTELSE

I tilfælde af strømsvigt er der en forsinkelse på 3 minutter, inden kompressoren starter igen for at beskytte den.

## DRÆNING

### SELV-FORDAMPENDE SYSTEM

Det selv-fordampende system bruger det opsamlede vand til at køle kondensatorspolerne for bedre, mere effektiv ydelse. Det er ikke nødvendigt at tømme dræningsbeholderen i kølefunktion, medmindre luftfugtigheden er høj. I tørreindstilling skal dræningsbeholderen tømmes. Det kondenserede vand fordamper i kondensatoren og forsvinder gennem udsugningsslangen.

Tilslut drænslangen til enheden ved uafbrudt drift eller drift uden opsyn i tørreindstilling. Kondenseret vand kan automatisk løbe ned i en spand eller et afløb.

- Sluk for enheden inden betjening.
- Fjern proppen fra vandudløbs åbning, og opbevar den et sikkert sted.
- Tilslut drænslangen sikkert og korrekt. Sørg for, at den ikke er snoet og blokeret.
- Placer slangens udløb over et afløb eller en spand, og sørg for at vandet kan løbe frit ud af enheden.
- Nedsænk ikke enden af slangen i vand, da det kan medføre "luftlås" i slangen.



Fjern gummiforseglingsproppen

Drænslange til uafbrudt drift

## UNDDÅ VANDSPILD

- Når det negative tryk i kondens afløbsbakken er stort, kan du vippe drænslangen ned mod gulvet. En passende hældningsgrad må ikke overstige 20 grader.
- Ret slangen ud for at undgå, at der opsamles vand i slangen.

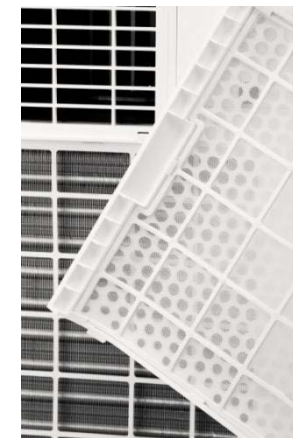
## DEMONTERING OG RENGØRING

### RENGØRING AF LUFTFILTER (HVER ANDEN UGE)

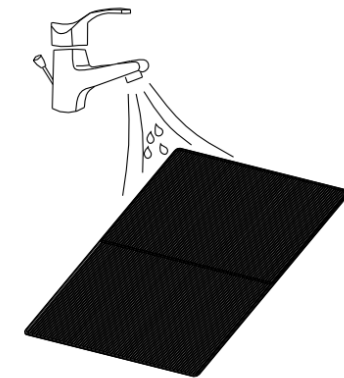
Støv opsamles på filteret og begrænser luftstrømmen. Den begrænsede luftstrøm reducerer systemets effektivitet, og hvis det bliver blokeret kan det medføre skade på enheden.

Luftfilteret kræver regelmæssig rengøring. Luftfilteret kan afmonteres for nem rengøring. Undgå at betjene enheden uden et luftfilter, da fordampere kan blive forurenede.

1. Tryk på START for at slukke for enheden og tag stikket ud.
2. Fjern filternettet fra enheden.
3. Brug en støvsuger til at støvsuge støv fra filteret.
4. Vend filteret og rens luftfilteret under rindende vand. Lad vandet løbe gennem filteret i modsat retning af luftstrømmen. Lad filteret tørre helt, inden det monteres igen.



Sluk for enheden og tag de to luftfiltre ud.



Skyl luftfilteret under rindende vand.

DK

## FEJLFINDING

Problem	Mulige årsager	Løsninger
Enheden kører ikke	Kontroller, at strømtilførslen er korrekt tilsluttet.	Tilslut strømtilførselen korrekt i stikkontakten.
	Kontroller, om vandstands-indikatoren lyser?	Tøm afløbsbakken ved at fjerne gummipropen.
	Kontroller rumtemperaturen.	Driftstemperaturområdet er 5-35 °C.
Enheden kører med reduceret kapacitet.	Kontroller luftfilteret for støv.	Rengør luftfilteret efter behov.
	Kontroller, om luftspjældet er blokeret.	Fjern forhindringer.
	Kontroller, om døre og vinduer er åbne.	Hold døre og vinduer lukket.
	Kontroller, om den ønskede betjeningsfunktion er valgt, og at temperaturen er indstillet korrekt.	Indstil funktion og temperatur som ønsket i henhold til vejledningen (se side 16).
	Udsugningsslangen er afmonteret.	Kontroller, at udsugningsslangen er monteret korrekt.
Vandlækage	Overløb under flytning af enheden.	Tøm vandbeholderen inden transport.
	Kontroller, om afløbsslangen er snoet eller knækker.	Ret slangen ud for at undgå, at der opsamles vand.
Overdreven støj	Kontroller, om enheden er placeret sikkert.	Placer enheden på et vandret og solidt underlag.
	Kontroller, om der er nogen løse, vibrerende dele.	Fastgør og stram delene.
	Støjen lyder som løbende vand.	Der kommer støj fra flydende kølemiddel. Det er normalt.

DK

## OPBEVARING

Langtidsopbevaring – Hvis du ikke skal bruge enheden i en længere periode (mere end et par uger), er det bedst at rengøre den og lade den tørre helt. Opbevar enheden i henhold til følgende trin:

1. Tag stikket ud af enheden og fjern udsugningsslangen og vindueskittet, der opbevares sammen med enheden.
2. Dræn tilbageværende vand ud af enheden.
3. Rengør filteret, og lad det tørre helt et skyggefuldt sted.
4. Monter filteret igen.
5. Enheden skal opbevares i opret position.
6. Opbevar maskinen et ventileret, tørt og sikkert sted indendørs uden ætsende gas.

## WIFI-BESKRIVELSE

## INFORMATION OM APP'EN "WILIFE"

Appen "WiLife" findes til android og iOS. Scan QR-koden for at komme direkte til download.



## INFORMATION OM, HVORDAN DU BRUGER APPEN

Apparatet giver dig mulighed for at betjene det via dit hjemmenetværk. En forudsætning er en permanent Wi-Fi-forbindelse til din router og den gratis app "WiLife".

Vi anbefaler, at du afbryder apparatet fra strømforsyningen, når du ikke er hjemme for at undgå uønsket tænding, når du er ude.

## SYSTEMKRAV TIL BRUG AF APP'EN

- iOS 11.0 eller højere
- Android 5.0 eller højere
- Bluetooth 4.2

DK

### INDKØRING VIA APPEN TIL WIFI

1. Installer app'en "WiLife". Opret en brugerkonto.
2. Aktiver Wi-Fi-funktionen i indstillingerne på dit apparat.
3. Placer apparatet med en afstand på ca. 5 meter til din router.
4. Tryk på "Timer"-knappen, og hold den nede i ca. 3 sekunder. Wi-Fi-lampen blinker hurtigt.
5. Lancer app'en, og vælg '+ '.
6. Vælg "aircondition" menuen og følg vejledningen på displayet.
7. Når apparatet er tilsluttet, lyser Wi-Fi-lampen. Nu kan du betjene apparatet via app'en.
8. Tryk på "Timer"-knappen, og hold den nede i ca. 3 sekunder, apparatet afbrydes, Wi-Fi-lampen slukker.

DK

### INDKØRING VIA APPEN TIL BLUETOOTH

1. Installer app'en "WiLife". Opret en brugerkonto.
2. Tænd for Bluetooth på din smartphone.
3. Tænd for apparatet.
4. Inden for 10 meter fra apparatet åbner du app'en, og apparatet skulle automatisk blive vist i bunden af skærmen
5. Følg vejledningen i app'en

### FEJLFINDING TILSLUTNING

Problem	Løsninger
Apparatet bliver ikke vist i app'en, når du forsøger at tilslutte med wi-fi	Kontroller, at Bluetooth er slået til på din smartphone. Slut for internettet i 3 minutter. Hold din telefon inden for 10 meter fra enheden, og forsøg at tilslutte igen via Bluetooth.
Apparatet bliver ikke vist i app'en, når du forsøger at tilslutte med Bluetooth	Tryk på + i øverste højre hjørne, og tryk på "store husholdningsapparater", tilføj derefter aircondition. Tryk på "Timer"-knappen, og hold den nede i 3 sekunder, indtil wi-fi-lampen blinker hurtigt. Følg derefter vejledningen i app'en
App'en kan ikke styre apparatet	Kontroller, at du er tilsluttet wi-fi. Hvis wi-fi-forbindelsen er nede, skal du sikre dig, at du er tilsluttet Bluetooth  Sluk for apparatet i 5 sekunder, og tænd igen.  Genstart app'en.

DK



## GARANTI

DK

Wilfa yder 5 års garanti på dette produkt fra købsdatoen. Garantien dækker produktionsfejl eller mangler, der opstår i garantiperioden. Din kvittering fungerer som dokumentation over for forhandleren, hvis du ønsker at benytte din garanti.

Garantien gælder kun for produkter, der er købt til og bruges i private husstande. Garantien gælder ikke, hvis produktet bruges kommercielt. Garantien gælder ikke, hvis produktet er misbrugt, forsømt, vejledningen fra Wilfa ikke er fulgt, produktet er ændret, eller der er foretaget uautoriseret reparation. Garantien gælder heller ikke for normalt slid på produktet, misbrug, manglende vedligeholdelse, brug af forkert spænding eller:

- Overbelastning af produktet
- Dele, der normalt bliver slidt
- Dele, der kan forventes udskiftet regelmæssigt (f.eks. filter, batteri osv.)

Brugervejledningen er også tilgængelig på vores hjemmeside [wilfa.dk/wilfa.com](http://wilfa.dk/wilfa.com)

## PRODUKTSPECIFIKATIONER

AC1W-7000/AC1B-7000C: 220-240V~, 50Hz, 780W, 130g R290  
AC1B-9000C: 220-240V~, 50Hz, 1005W, 170g R290

## SUPPORT OG RESERVEDELE

Hvis du har brug for support, kan du finde vores kundeservice/supportside på **Wilfa.com**. Her finder du ofte stillede spørgsmål, reservedele, tips og tricks og alle vores kontaktoplysninger.

## GENANVENDELIGHED



Denne mærkat angiver, at produktet ikke må bortskaffes sammen med andet husholdningsaffald nogen steder i EU. For at undgå potentiel skade på miljøet eller menneskers sundhed pga. ukontrolleret bortskaffelse af affald, skal produktet genanvendes ansvarligt for at fremme bæredygtig genanvendelse af materielle ressourcer. Brug retur- og indsamlingssystemerne til genanvendelse af den brugte enhed, eller kontakt den forhandler, hvor du købte produktet. De kan tage dette produkt til en miljøvenlig genanvendelse uden beregning.



Det er strengt forbudt at udlede kølemiddel i atmosfæren!

DK

FI

FI

## SISÄLTÖ

92	TURVALLISUUSOHJEET
94	LAITTEEN JA KÄYTTÖOPPAAN SYMBOLIT
95	KÄYTTÖÖN LIITTYVÄT VAROTOIMET
98	TUOTTEEN KUVAUS
99	ASENTAMINEN
99	KIINNITÄ POISTOLETKU
101	OHJAUSPANEELI JA NÄYTTÖ
102	KAUKOSÄÄDIN
102	ASETUKSET
104	AJASTUKSEN ASETTAMINEN (1–24 TUNTIA)
104	TYHJENNYS
105	PURKAMINEN JA PUHDISTAMINEN
106	VIANMÄÄRITYS
107	SÄILYTYS
107	KÄYTTÖ WIFIN KAUTTA
110	TAKUU
111	TUOTETIEDOT
111	TUKI JA VARAOSAT
111	KIERRÄTYS

## TURVALLISUUSOHJEET

- Lue tämä käyttöohje huolellisesti ennen käyttöä ja säilytä se vastaisen varalle. Käyttöohjeen voi ladata myös kotisivuiltamme osoitteesta wilfa.fi.
- Kahdeksan vuotta täyttäneet lapset sekä fyysisesti, henkisesti, aisteiltaan tai tietämykseltään rajoittuneet tai kokemattomat henkilöt voivat käyttää laitetta, jos heitä valvotaan tai jos heitä on neuvottu käyttämään laitetta turvallisesti ja he ymmärtävät käyttämiseen liittyvät vaarat. Lapset eivät saa leikkiä laitteella. Lapset eivät saa puhdistaa tai huoltaa laitetta ilman valvontaa.
- Tämä laite on tarkoitettu ainoastaan kotikäyttöön sisätiloissa. Sitä ei ole tarkoitettu teolliseen tai kaupalliseen käyttöön.
- Jos virtajohto on vahingoittunut, se on vaaran välttämiseksi vaihdattava valmistajalla, valmistajan valtuuttamassa huoltokorjaamossa tai valtuutetulla ammattilaisella.
- Yksikkö on suunniteltu käytettäväksi ainoastaan R-290-kaasun (propaani) kanssa. Muita kylmäaineita ei suositella.
- Kylmäainesilmukka on suljettu. Huoltotöitä saa tehdä vain pätevä teknikko!

FI

- Älä päästä kylmäainetta ilmakehään.
- R-290 (propaani) on syttyvää ja painavampaa kuin ilma. Se kerääntyy ensin matalille alueille, mutta tuulettimet saavat sen leviämään.
- Jos ilmassa on propaania tai jos sellaista edes epäillään, syyn selvittäminen on jätettävä koulutetun henkilön vastuulle.
- Laitteessa käytetty propaani on hajutonta.
- Hajun puuttuminen ei tarkoita, etteikö kaasua olisi päässyt karkaamaan.
- Jos havaitset vuodon, evakuoiki kaikki paikalla olijat välittömästi, tuuletahuone, otayhteyttä paikalliseen palokuntaan ja kerro propaanivuodosta.
- Älä päästä ketään takaisin huoneeseen ennen kuin valtuutettu huoltoteknikko on saapunut ja varmistanut, että huoneeseen on turvallista palata.
- Laitteen sisällä tai läheisyydessä ei saa olla avotulta, savukkeita tai muita mahdollisia syttymislähteitä.
- Laitteen komponentit on suunniteltu käytettäväksi propaanin kanssa. Ne ehkäisevät syttymistä ja kipinäintiä. Komponentit saa korvata vain identtisillä varaosilla.

FI



TÄMÄN VAROITUKSEN NOUDATTAMATTA JÄTTÄMINEN VOI AIHEUTTAA RÄJÄHDYKSEN, KUOLEMAN, LOUKKAANTUMISEN TAI OMAISUUSVAHINGON.

Laitteen kylmäaineena käytetään ympäristöä säästävää R290-kaasua. R290 ei vaikuta haitallisesti otsonikerrokseen (ODP), sen vaikutus kasvihuoneilmiöön (GWP) on häviävän pieni, ja sitä on saatavilla maailmanlaajuisesti. Energiatehokkuutensa ansiosta R290 sopii erinomaisesti tällaisen käyttökohteen kylmäaineksi. Laitteen käytössä on noudatettava erityistä varovaisuutta kylmäaineen herkän syttyvyyden vuoksi.

#### LAITTEEN JA KÄYTTÖOPPAAN SYMBOLIT

FI



Varoitus

Tämä laite käyttää syttyvää kylmäainetta. Jos kylmäaine vuotaa ja joutuu kosketuksiin tulen tai lämmitysosan kanssa, syntyy haitallista kaasua ja saattaa syttyä tulipalo.



Lue KÄYTTÖOHJE huolellisesti ennen käyttöä.



Lisätietoa on KÄYTTÖOPPAASSA, HUOLTO-OPPAASSA ja vastaavissa.



Huoltohenkilöstön on luettava KÄYTTÖOHJE ja HUOLTO-OHJE huolellisesti ennen käyttöä.

#### KÄYTTÖÖN LIITTYVÄT VAROTOIMET

VAROITUS – Tulipalon, sähköiskun ja henkilövahinkojen mahdollisuuden minimoimiseksi:

- Kytke laite aina sen tyyppikilvessä ilmoitetun jännitteen, taajuuden ja nimellistehon mukaiseen virtalähteeseen.
- Käytä aina maadoitettua pistorasiaa.
- Irrota pistoke pistorasiasta puhdistamisen ajaksi ja silloin, kun laite on pois käytöstä.
- Älä käytä laitetta märin käsin. Älä päästä vettä roiskumaan laitteen päälle.
- Älä upota laitetta mihinkään nesteeseen tai altista sitä sateelle tai kosteudelle.
- Älä jätä laitetta käyntiin ilman valvontaa. Älä kallista laitetta tai käännä sitä ylösalaisin.
- Älä irrota pistoketta laitteen ollessa käynnissä.
- Älä irrota pistoketta pistorasiasta johdosta vetämällä.
- Älä käytä jatkojohtoa tai sovitinpistoketta.
- Älä aseta laitteen päälle mitään.
- Älä kiipeä laitteen päälle tai istu sen päällä.

FI

- Älä työnnä sormia tai muita esineitä ilmanpoistoaukkoon.
- Älä koske laitteen ilmanottoaukkoa tai alumiinilamelleja.
- Älä käytä laitetta, jos se on pudonnut, vaurioitunut tai siinä on merkkejä toimintahäiriöstä.
- Älä puhdista laitetta kemikaaleilla.
- Varmista, että laite on kaukana tulesta sekä syttyivistä tai räjähtävistä esineistä.
- Laite on asennettava kansallisten sähköasennuksia koskevien säädösten mukaisesti.
- Älä yritä nopeuttaa sulatusta tai puhdistusta tavalla, joka eroaa valmistajan suosituksista.
- Käytöstä poistettua laitetta on säilytettävä tilassa, jossa ei ole syttymislähteitä (esimerkiksi avotulta tai toiminnassa olevaa kaasulaitetta tai sähkölämmittintä).
- Laitetta tulee säilyttää niin, ettei se pääse vaurioitumaan mekaanisesti.
- Älä hajota osiin tai polta edes käytön jälkeen.
- Ota huomioon, että kylmäaineet eivät välttämättä haise miltään.

- Putkisto on suojattava fyysisiltä vaurioilta, eikä sitä saa asentaa tuulettamattomaan tilaan, jonka koko on alle 8 m<sup>2</sup>.
- Noudata kansallisia kaasun käyttöä koskevia säännöksiä.
- Pidä esteet poissa kaikkien ilmanvaihtoaukkojen edestä.
- Laitetta tulee säilyttää hyvin ilmastoidussa paikassa, jonka koko vastaa käytön aikaisia huonekoko-määräyksiä.



## VAROITUS

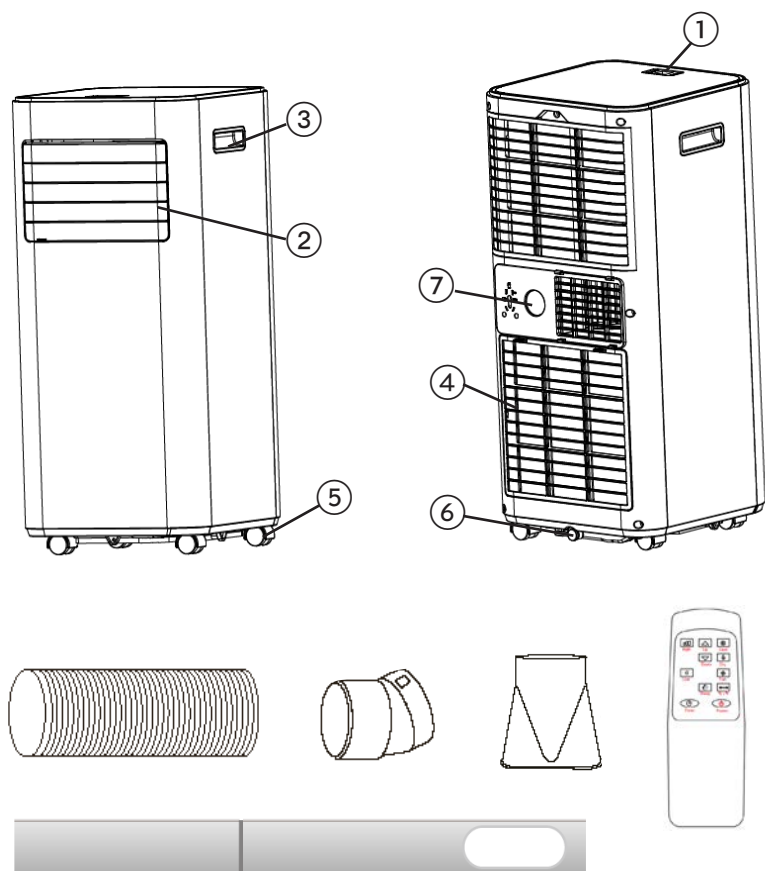
Kaikilla kylmäainepiirien parissa työs-kentelevillä on oltava voimassa oleva, toimialan valtuutetun arviointiviran-omaisen myöntämä todistus, joka to-distaa henkilön osaavan käsitellä kylmä-aineita turvallisesti alan tunnustettujen arviointimääritysten mukaisesti.



## VAROITUS

Huollon saa suorittaa vain laitteiston valmistajan suositusten mukaisesti. Muiden pätevien henkilöiden apua edellyttävät huolto- ja korjaustyöt on suoritettava herkästi syttyvien kylmä-aineiden käyttöön perehtyneen hen-kilön valvonnassa.

## TUOTTEEN KUVAUS



1. Ohjauspaneeli
2. Ilmanpoistoaukon säädettävä säleikkö
3. Kahva
4. Ilmanottoaukko ja ilmansuodatin
5. Pyörä
6. Tyhjennysaukko
7. Ilmanpoisto

- Lisätarvikkeet:
1. Poistoletku
  2. Letkuliitin
  3. Ikkunasarjan sovitin
  4. Kaukosäädin
  5. Ikkunakannattimet

**Huomaa:** Kuva on vain viitteellinen. Tutustu varsinaiseen tuotteeseen saadaksesi yksityiskohtaisia tietoja.

## ASENTAMINEN

## VALITSE SIJOITUSPAIKKA

- Jos laite on ollut yli 45 astetta kallellaan, anna sen seistä pystyasennossa vähintään 24 tuntia ennen käynnistystä.
- Aseta laite tukevalle ja tasaiselle alustalle, jonka ympärillä on ilman kiertämistä varten vähintään 50 cm vapaata tilaa.
- Älä aseta laitetta seinien, verhojen tai muiden ilmanottoaukkoa tai -poistoaukkoa mahdollisesti tukkivien esineiden läheisyyteen. Pidä esteet poissa ilmanotto- ja -poistoaukkojen läheltä.
- Älä sijoita laitetta paikkaan, jossa se voi altistua:
  - Lämmönlähteille (esimerkiksi lämpöpatterit, lämpötilat, liedet ja muut lämpöä tuottavat laitteet).
  - Suoralle auringonvalolle
  - Mekaaniselle tärinälle tai iskuille
  - Liialliselle pölylle
  - Huonolle ilmanvaihdolle (esimerkiksi kaappi tai kirjahylly)
  - Alustan epätasaisuuksille

## VAROITUS!



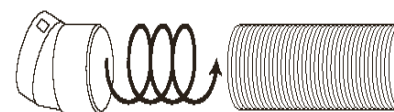
- Sijoita laite huoneeseen, jonka koko on yli 8 m<sup>2</sup>.
- Älä sijoita laitetta paikkaan, johon saattaa vuotaa syttyviä kaasuja.

## KIINNITÄ POISTOLETKU

Ilmastointilaitteesta poistuva ilma on ohjattava pois huoneesta, koska poistoilmassa on hukkalämpöä ja kosteutta.

Älä vaihda tai jatka ilmanpoistoletkua, koska se heikentää laitteen tehokkuutta tai pahimmassa tapauksessa sammuttaa laitteen alhaisen vastapaineen vuoksi.

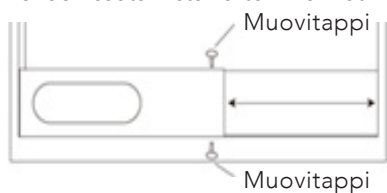
- 1. vaihe:** Liitä letkuliitin poistoletkun yhteen päähän.



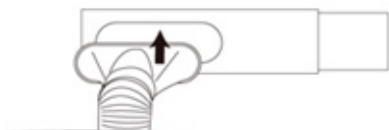
**2. vaihe:** Liitä ikkunasarjan sovitin poistoletkun toiseen päähän.



**3. vaihe:** Säädä ikkunakannattimet ikkunan leveyden tai korkeuden mukaan ja kiinnitä haluttuun kohtaan muovitapeilla.  
Huomautus: älä asenna ikkunakannattinta ikkunaan. Tämä vaihe on vain ikkunan kokoon säätämistä varten. Kannatin tulee poistaa koon säätämisen jälkeen.



**4. vaihe:** Kiinnitä ikkunakannatin ikkunasarjan sovittimeen. Varmista, että kaikki liitännät ovat kunnolla kiinni ja asennettu oikein.

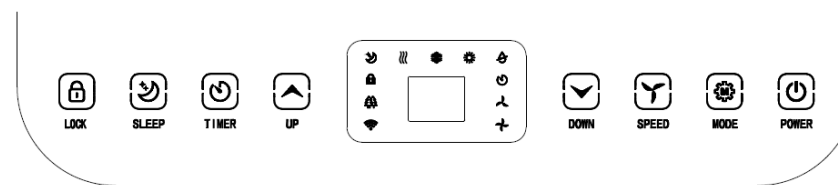


**5. vaihe:** Kiinnitä ikkunakannatin ikkunaan.



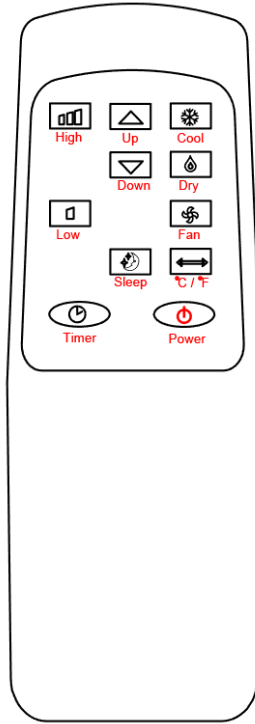
**6. vaihe:** Säädä taipuisan poistoletkun pituus sopivaksi. Yritä välttää letkun taipumista. Aseta sen jälkeen ilmastointilaite lähelle pistorasiaa.

## OHJAUSPANEELI JA NÄYTTÖ



1	LOCK	Paina ja pidä painettuna lapsilukon kytkeminen päälle tai pois päältä
2	MODE	Toimintatilan vaihtaminen tuulettimen, viilennyksen ja ilmankuivaimen välillä
3	UP	Halutun lämpötilan (16–32 °C) tai ajastinasetuksen muuttaminen suuremmaksi
4	POWER	Laitteen käynnistäminen ja sammuttaminen
5	DOWN	Halutun lämpötilan tai ajastinasetuksen muuttaminen pienemmäksi.
6	SPEED	Puhaltimen nopeuden muuttaminen (voimakas tai hiljainen puhallus)
7	TIMER	Ajastin, jonka avulla laite käynnistyy tai pysähtyy automaattisesti
8	SLEEP	Siirtyminen lepotilaan (voidaan käyttää vain viilennystilassa)
9	Puhaltimen nopeus	Puhaltimen nopeuden näyttö (nopea tai hidas)
10	LED-näyttö	Näyttää huoneen lämpötilan tai ajan asetuksen
11	Tilanäyttö	Näytössä näkyy, onko käytössä tuuletus-, viilennys- vai kuivaustila.

## KAUKOSÄÄDIN



- Paina SPEED-painiketta niin monta kertaa, että tuulettimen nopeuden merkkivalo syttyy.
  - Ilmavirran suuntaa voi muuttaa vaakasuunnassa kääntämällä säleikköä käsin.
- Huomaa:** Ilmastointilaite pysähtyy, jos huoneen lämpötila on valittua lämpötilaa alhaisempi.

## HUONEEN TUULETUS

- Paina MODE-painiketta niin monta kertaa, että tuulettimen merkkivalo syttyy.
- Ilmanvaihtotilassa huoneilmaa kierrätetään, mutta sitä ei viilennetä.
- Valitse puhaltimen nopeus painamalla SPEED-painiketta useita kertoja.

## HUONEILMAN KUIVAAMINEN

- Paina ohjauspaneelin tai kauko-ohjaimen MODE-painiketta, kunnes kuivauksen merkkivalo syttyy. Tuulettimen nopeutta ei voi valita. Liitä letku laitteen pohjassa olevaan tyhjennysaukkoon.
- Huomaa:** Tässä tilassa tuulettimen nopeus vaihtuu hitaaksi, eikä sitä voi muuttaa.

## LEPOTILA

- Lepopainike on käytössä vain viilennystilassa.
- Kun kone siirtyy lepotilaan, kaikki valot himmenevät eikä äänimerkki ole käytössä.
  - 1 tunnin kuluttua lepotilan kytkemisestä päälle lämpötila nousee automaattisesti yhden asteen, ja toisen tunnin kuluttua se nousee vielä toisen asteen.
- Kun lepotila on ollut päällä 2 tuntia, lämpötila ei enää nouse.
- Tuulettimen teho lepotilassa: tuuletin alkaa automaattisesti pyöriä hitaalla asetuksella. Puhalluksen nopeus on hidas, eikä sitä voi säätää. Lepotilasta poistumisen jälkeen puhalluksen nopeutta voi taas säätää.

FI

FI

## ASETUKSET

## KÄYNNISTYS JA SAMMUTUS

- Käynnistä laite painamalla virtapainiketta.
- Valitse haluttu toimintatila painamalla tilapainiketta.
- Kytke virta pois päältä painamalla virtapainiketta uudelleen.

## KÄYTTÖTILA

Laitteessa on neljä toimintatilaa: Viilennys, kuivaus, tuuletus, lepo.

## HUONEEN VIILENTÄMINEN

- Valitse viilennystila, jos haluat laskea huoneen lämpötilaa.
- Paina MODE-painiketta niin monta kertaa, että viilennyksen merkkivalo syttyy.
- Säädä näytössä näkyvä lämpötila nuolipainikkeilla. Lämpötilan voi valita väliltä 16–32 °C.

## AJASTUKSEN ASETTAMINEN (1–24 TUNTIA)

Ajastimessa on kaksi käyttötapaa:

Virran katkaiseminen (kun virta on kytketty)	→	Kytke ajastintoiminto päälle painamalla ajastinpainiketta.	→	Aseta sammutusaika painamalla ylös- tai alaspäin osoittavia nuolia.
Virran kytkeminen (kun virta on katkaistuna)	→	Kytke ajastintoiminto päälle painamalla ajastinpainiketta.	→	Aseta käynnistysaika painamalla ylös- ja alaspäin osoittavia nuolia.
Ajastuksen peruutus	→	Paina nuolia ylös- tai alaspäin niin monta kertaa, että LED-näytössä näkyy 00. <b>Huomaa:</b> Kun painat POWER, peruutat samalla ajastuksen.		

## YLIKUORMITUSSUOJA

Virtakatkoksen jälkeen uudelleenkäynnistyksessä on kompressorin suojaamiseksi kolmen minuutin viive.

FI

## TYHJENNYS

### ITSEHAIHDUTTAVA JÄRJESTELMÄ

Itsehaiduttava järjestelmä jäädyttää jäähdytyskierukat huoneesta kerätyllä vedellä. Se parantaa ja tehostaa laitteen toimintaa. Vesisäiliötä ei tarvitse tyhjentää viilennytyksessä, ellei huoneen kosteus ole erityisen korkea. Kuivaustilassa vesisäiliö on tyhjennettävä. Tiivistynyt vesi haihtuu lauhduttimessa ja häviää poistoletkun kautta.

Liitä laitteeseen tyhjennysletku, jos käyttö on jatkuvaa tai jos laite on päällä kuivaustilassa ilman valvontaa. Tiivistynyt vesi pääsee siten valumaan sankoon tai viemäriin.

- Kytke laite pois päältä ennen käsittelyä.
- Irrota vedenpoistoaukon tulppa ja pane se varmaan talteen.
- Kiinnitä tyhjennysletku tiukasti. Varmista, ettei se ole taittunut eikä siinä ole tukkeumia.
- Aseta letkun pää viemäriin tai ämpäriin päälle, jotta vesi pääsee virtaamaan vapaasti ulos laitteesta.
- Älä upota letkun päätä veteen, sillä se voi aiheuttaa letkuun ilmalukon.



**Irrota kumitulppa**



**Jatkuvassa käytössä tarvittava tyhjennysaukko**

## VESIROISKEIDEN VÄLTÄMISEKSI

- Koska kondenssiveden tyhjennysastian alipaine on suuri, tyhjennysletkua pitää kallistaa alaspäin kohti lattiaa yli 20 astetta.
- Suorista letku, ettei sen sisälle jää vettä.

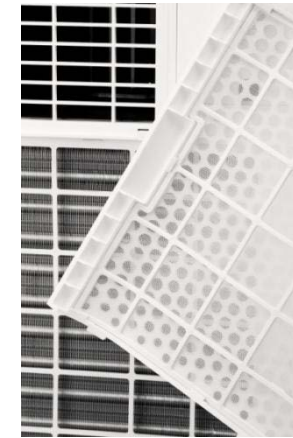
## PURKAMINEN JA PUHDISTAMINEN

### ILMANSUODATTIMEN PUHDISTUS (KAHDEN VIIKON VÄLEIN)

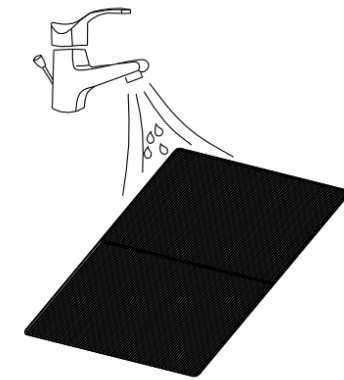
Kun pöly kerääntyy suodattimeen, se rajoittaa ilman virtaamista. Rajoittunut ilmavirtaus heikentää järjestelmän tehoa, ja jos suodatin tukkeutuu, laite voi vahingoittua.

Ilmansuodatin on puhdistettava säännöllisesti. Se on helppo irrottaa puhdistusta varten. Älä käytä laitetta ilman ilmansuodatinta tai haihdutin saattaa likaantua.

1. Sammuta laite painamalla POWER-painiketta ja irrota virtajohto.
2. Irrota suodatinverkko laitteesta.
3. Imuroi pöly suodattimesta imurilla.
4. Käännä suodatin toisin päin ja huuhtelee se juoksevilla vedellä. Juoksuta vettä suodattimen läpi ilmavirtauksen kanssa päinvastaiseen suuntaan. Anna suodattimen kuivua kunnolla ennen asettamista takaisin paikalleen.



**Sammuta laite ja irrota kaksi ilmansuodatinta.**



**Huuhtelee ilmansuodatin juoksevan veden alla.**

FI

## VIANMÄÄRITYS

Ongelma	Mahdolliset syyt	Ratkaisut
Laitte ei toimi	Tarkista, että pistoke on kunnolla kiinni.	Työnnä virtajohto kunnolla pistorasiaan.
	Tarkista, palaako vesimäärän merkkivalo.	Irrota kumitulppa ja tyhjennä vesiasia.
	Tarkista huoneen lämpötila.	Laitte toimii 5–35 asteen lämpötilassa.
Laitteen teho on tavallista heikompi	Tarkista, ettei ilman-suodattimessa ole pölyä.	Puhdista ilmansuodatin.
	Tarkista, onko ilmakehän tukossa.	Poista este.
	Tarkista, onko ovi tai ikkuna auki.	Pidä ovi ja ikkunat suljettuina.
	Tarkista, onko haluttu toimintatila valittuna ja onko lämpötila säädetty oikein.	Valitse tila ja lämpötila käyttöoppaan ohjeiden mukaisesti (katso sivu 16).
	Poistoletku on irti.	Varmista, että poistoletku on kunnolla kiinni.
Laitteesta valuu vettä	Ylivuoto laitetta siirrettäessä.	Tyhjennä vesisäiliö ennen laitteen siirtämistä.
	Tarkista, onko tyhjennysletku kierteellä tai taipunut.	Suorista letku, ettei vesi pääse kertymään mutkiin.
Liiallinen melu	Tarkista, että laite seisoo kunnolla paikallaan.	Aseta laite vaakasuoralle ja tukevalle lattialle.
	Tarkista, onko jokin osa löysällä tai tärisevä.	Kiinnitä ja kiristä osat.
	Melu kuulostaa virtaavalta vedeltä.	Ääni johtuu kylmäaineen virtauksesta. Tämä on normaalia.

## SÄILYTYS

Pitkäaikainen säilytys – Jos laitetta ei käytetä pitkään aikaan (muutamaan viikkoon), se kannattaa puhdistaa ja kuivata perusteellisesti. Säilytä laite seuraavasti:

1. Irrota laite pistorasiasta ja irrota poistoletku sekä ikkunasarja. Säilytä ne yhdessä laitteen kanssa.
2. Kaada laitteeseen kertynyt vesi pois.
3. Puhdista suodatin ja anna sen kuivua kokonaan varjoisassa paikassa.
4. Asenna suodatin takaisin paikalleen.
5. Laitte on pidettävä säilytyksenkin aikana pystyasennossa.
6. Säilytä laite ilmastoidussa, kuivassa ja turvallisessa sisätilassa, jossa se ei ole alttiina korroosiolle.

## KÄYTTÖ WIFIN KAUTTA

## TIETOA WILIFE -SOVELLUKSESTA

WiLife -sovellus on saatavana Android- ja iOS-laitteille. Skannaa omalle laitteellesi tarkoitettu QR-koodi, niin pääset lataamaan sovelluksen.



## TIETOA SOVELLUKSEN KÄYTTÖSTÄ

Tätä laitetta voi käyttää sovelluksella kotiverkon kautta. Tarvitaan vain pysyvä wifi-yhteys reitittimeen ja ilmainen WiLife-sovellus.

Kun kukaan ei ole kotona, laite kannattaa irrottaa verkkovirrasta. Tämä estää laitteen tahattoman käynnistymisen.

## SOVELLUKSEN JÄRJESTELMÄVAATIMUKSET

- iOS 11.0 tai uudempi
- Android 5.0 tai uudempi
- Bluetooth 4.2

## KÄYTTÖ SOVELLUKSELLE WIFIN KAUTTA

1. Asenna WiLife-sovellus. Luo käyttäjätili.
2. Aktivoi wifi-toiminto laitteesi asetuksissa.
3. Aseta laite noin viiden metrin etäisyydelle reitittimestä.
4. Pidä ajastinpainiketta alhaalla noin kolmen sekunnin ajan. Wifi-valo vilkkuu nopeasti.
5. Käynnistä sovellus ja valitse +.
6. Valitse Air Conditioner -valikko ja noudata näyttöön tulevia ohjeita.
7. Kun laitteen yhdistäminen on onnistunut, wifi-valo syttyy. Laitetta voi nyt käyttää sovelluksen avulla.
8. Pidä ajastinpainiketta alhaalla noin kolme sekuntia. Yhteys laitteeseen katkeaa ja wifi-valo sammuu.

## KÄYTTÖ BLUETOOTH-SOVELLUKSEN KAUTTA

1. Asenna WiLife -sovellus. Luo käyttäjätili.
2. Kytke älypuhelimesi Bluetooth päälle.
3. Käynnistä laite.
4. Avaa sovellus kymmenen metrin säteellä laitteesta, niin laitteen pitäisi ilmestyä automaattisesti näytön alareunaan.
5. Noudata sovelluksen antamia lisäohjeita.

## YHTEYTEEN LIITTYVÄ VIANETSINTÄ

Ongelma	Ratkaisut
Laite ei näy sovelluksessa, kun yrität muodostaa wifi-yhteyttä	Varmista, että älypuhelimesi Bluetooth on päällä. Katkaise internetyhteys kolmeksi minuutiksi. Pidä puhelin enintään kymmenen metrin päässä laitteesta ja yritä muodostaa yhteys uudelleen Bluetoothin avulla.
Laite ei näy sovelluksessa, kun yrität muodostaa Bluetooth-yhteyttä	Paina oikeassa yläkulmassa olevaa +-painiketta, valitse "Large home appliances" ja lisää "Air conditioner". Pidä ajastinpainiketta alhaalla kolme sekuntia, kunnes wifi-valo vilkkuu nopeasti. Noudata sen jälkeen sovelluksen antamia ohjeita.
Laitetta ei saa ohjattua sovelluksella	Varmista, että wifi-yhteys on muodostettu. Jos wifi on pois päältä, varmista että olet muodostanut Bluetooth-yhteyden.  Sammuta laite viideksi sekunniksi ja käynnistä uudelleen.  Käynnistä sovellus uudelleen.





## TAKUU

Wilfa myöntää tälle tuotteelle viiden (5) vuoden takuun ostopäivämäärästä alkaen. Takuu kattaa valmistusvirheet ja takuuajana ilmenevät viat. Ostokuitti toimii todisteena jälleenmyyjälle takuuvaatimusten esittämisen yhteydessä.

Takuu koskee ainoastaan yksityiskäyttöön ostettuja ja yksityiskäytössä olleita tuotteita. Takuu ei ole voimassa, jos tuotetta on käytetty kaupallisesti. Takuu ei ole voimassa, jos tuotetta on käytetty väärin, huolimattomasti tai Wilfan antamien ohjeiden vastaisesti tai jos tuotetta on muutettu tai korjattu valtuuttamattomalla tavalla. Takuu ei koske myöskään tuotteen normaalia kulumista, väärinkäyttöä, huollon puutetta tai väärän sähköjännitteen käyttöä eikä:

- Tuotteen ylikuormittamista
- Normaalista kulumista
- Osia, jotka pitääkin vaihtaa säännöllisesti (esim. suodatin, paristo jne.)

**Käyttöohje on saatavana myös verkkosivustoltamme osoitteessa [wilfa.fi](http://wilfa.fi)**

## TUOTETIEDOT

AC1W-7000/AC1B-7000C: 220-240V~, 50Hz, 780W, 130g R290

AC1B-9000C: 220-240V~, 50Hz, 1005W, 170g R290

## TUKI JA VARAOSAT

Tukiasioissa käy osoitteessa **wilfa.fi** ja tutustu asiakaspalvelu- ja tukisivuumme. Sieltä löydät usein kysytyt kysymykset, varaosat, vinkit ja neuvot sekä kaikki yhteystietomme.

## KIERRÄTYS



Tämä merkki osoittaa, että laitetta ei saa hävittää missään EU:n alueella talousjätteen mukana. Laite tulee kierrättää vastuullisesti ja kestävästi kehityksen periaatteiden mukaisesti, jottei ympäristölle ja ihmisten terveydelle aiheudu haittaa. Kierrätä käytetty laite viemällä se keräyspisteeseen tai palauttamalla se tuotteen jälleenmyyjälle. Sieltä se ohjataan käsiteltäväksi ympäristön kannalta turvallisella tavalla ihan ilmaiseksi.



Kylmäaineen vapauttaminen ilmakehään on ehdottomasti kielletty!

DE

## INHALTSVERZEICHNIS

- 114 WICHTIGE SICHERHEITSHINWEISE
- 116 SYMBOLE FÜR GERÄT UND  
BEDIENUNGSANLEITUNG
- 117 VORSICHTSMASSNAHMEN FÜR DEN BETRIEB
- 120 PRODUKTÜBERSICHT
- 121 INSTALLATION
- 121 ABGASSCHLAUCH ANBRINGEN
- 124 FERNBEDIENUNG
- 124 EINSTELLUNGEN
- 126 TIMEREINSTELLUNG (1 BIS 24 STUNDEN)
- 126 ENTLERUNG
- 127 DEMONTAGE UND REINIGUNG
- 128 PROBLEMLÖSUNG
- 129 AUFBEWAHRUNG
- 129 WLAN-BESCHREIBUNG
- 132 GARANTIE
- 133 TECHNISCHE DATEN
- 133 SUPPORT UND ERSATZTEILE
- 133 RECYCLINGFÄHIGKEIT

DE

## WICHTIGE SICHERHEITSHINWEISE

- Lesen Sie diese Anleitung vor Verwendung des Geräts gründlich durch und bewahren Sie sie auf. Die Gebrauchsanleitung finden Sie auch auf unserer Website [wilfa.com](http://wilfa.com).
- Dieses Gerät kann von Kindern ab 8 Jahren und Personen mit verminderten körperlichen, sensorischen oder geistigen Fähigkeiten bzw. ohne ausreichende Erfahrung und Wissen verwendet werden, wenn sie beaufsichtigt werden, eine Einweisung zur sicheren Nutzung des Geräts erhalten haben und die damit verbundenen Gefahren verstanden haben. Das Gerät ist kein Spielzeug für Kinder. Die Reinigung und Wartung darf von Kindern nicht ohne Beaufsichtigung ausgeführt werden.
- Dieses Gerät ist nur für die Verwendung in Innenräumen und die nicht-industrielle, nicht-gewerbliche Verwendung im Haushalt bestimmt.
- Wenn das Stromkabel beschädigt ist, muss es vom Hersteller, seiner Servicestelle oder ähnlich qualifizierten Personen ersetzt werden, um eine Gefährdung auszuschließen.
- Das Gerät ist nur für die Verwendung mit R290-Gas (Propan) als Kältemittel ausgelegt.
- Der Kältemittelkreislauf ist hermetisch geschlossen. Wartungsarbeiten dürfen nur von einem qualifizierten Techniker durchgeführt werden!

DE

- Kältemittel nicht in die Atmosphäre ablassen.
- R290 (Propan) ist entflammbar und schwerer als Luft. Es sammelt sich zuerst in unteren Bereichen an, kann aber von Ventilatoren umgewälzt werden.
- Wenn Propangas vorhanden ist oder sein Vorhandensein vermutet wird, darf kein ungeschultes Personal auf die Suche nach der Ursache gehen.
- Das im Gerät verwendete Propangas ist geruchlos.
- Das Fehlen von Geruch ist kein Anzeichen dafür, dass kein Gas ausgetreten ist.
- Wenn eine Undichtigkeit festgestellt wird, evakuieren Sie alle Personen sofort aus dem Raum, lüften ihn und melden den Gasaustritt bei der örtlichen Feuerwehr.
- Lassen Sie keine Personen in den Raum zurückkehren, bevor ein qualifizierter Wartungstechniker eingetroffen ist und dieser den Raum wieder zu einem sicheren Betreten freigibt.
- Innerhalb oder in der Nähe der Geräte dürfen keine offenen Flammen, Zigaretten oder andere mögliche Zündquellen verwendet werden.
- Die Bauteile sind für Propan ausgelegt und nicht-entzündend und funkenfrei. Die Bauteile dürfen nur durch identische Ersatzteile ersetzt werden.

DE

EINE NICHTBEACHTUNG DIESER WARNHINWEISE KANN ZU EXPLOSION, TOD, VERLETZUNGEN UND SACHSCHÄDEN FÜHREN.

Als Kältemittel wird das umweltfreundliche R290 verwendet. R290 hat keine schädlichen Auswirkungen auf die Ozonschicht, einen vernachlässigbaren Treibhauseffekt und ist weltweit verfügbar. R290 eignet sich aufgrund seiner Energieeffizienz hervorragend als Kältemittel für dieses Gerät. Aufgrund der hohen Entflammbarkeit des Kältemittels sind besondere Vorsichtsmaßnahmen zu beachten.

#### SYMBOLE FÜR GERÄT UND BEDIENUNGSANLEITUNG



Warnung

Dieses Gerät verwendet ein entflammbares Kältemittel. Wenn Kältemittel austritt und mit Feuer oder Heizteilen in Berührung kommt, entsteht schädliches Gas und es besteht Brandgefahr.



Lesen Sie das BENUTZERHANDBUCH vor dem Betrieb sorgfältig durch.



Weitere Informationen finden Sie in BENUTZERHANDBUCH, WARTUNGSHANDBUCH u. ä.



Das Wartungspersonal muss vor Wartungsarbeiten das BENUTZERHANDBUCH und das WARTUNGSHANDBUCH sorgfältig lesen.

#### VORSICHTSMASSNAHMEN FÜR DEN BETRIEB

WARNUNG – um die Gefahr von Brand, Stromschlag, Verletzungen oder Sachschäden zu verringern:

- Betreiben Sie das Gerät immer mit einer Stromquelle mit gleicher Spannung, Frequenz und Nennleistung, wie auf dem Typenschild angegeben.
- Verwenden Sie immer eine geerdete Steckdose.
- Ziehen Sie das Netzkabel heraus, wenn Sie das Gerät reinigen oder nicht verwenden.
- Nicht mit nassen Händen bedienen. Vermeiden Sie das Verschütten von Wasser auf das Gerät.
- Setzen Sie das Gerät nicht Regen und Feuchtigkeit aus und tauchen Sie es nicht in Wasser als andere Flüssigkeiten.
- Lassen Sie das Gerät nicht unbeaufsichtigt laufen. Kippen oder wenden Sie das Gerät nicht.
- Ziehen Sie den Stecker nicht aus der Steckdose, während das Gerät in Betrieb ist.
- Ziehen Sie den Stecker nicht am Kabel aus der Steckdose.
- Verwenden Sie kein Verlängerungskabel oder einen Adapterstecker.
- Legen Sie keine Gegenstände auf dem Gerät ab.
- Steigen nicht auf das Gerät und setzen Sie sich nicht darauf.

- Führen Sie keine Finger oder anderen Gegenstände in den Luftauslass ein.
- Berühren Sie nicht den Lufteinlass oder die Aluminiumlamellen des Geräts.
- Betreiben Sie das Gerät nicht, wenn es heruntergefallen ist, beschädigt ist oder Anzeichen einer Fehlfunktion aufweist.
- Reinigen Sie das Gerät nicht mit Chemikalien.
- Stellen Sie sicher, dass sich das Gerät entfernt von feuergefährlichen, entzündlichen oder explosiven Gegenständen befindet.
- Das Gerät muss in Übereinstimmung mit den geltenden Installationsvorschriften installiert werden.
- Verwenden Sie ausschließlich die vom Hersteller empfohlenen Mittel zur Beschleunigung des Abtauvorgangs oder zur Reinigung.
- Das Gerät muss in einem Raum ohne im Dauerbetrieb befindlichen Betriebsquellen aufbewahrt werden (z. B. offene Flammen, Gasgeräte oder Elektroheizgeräte).
- Das Gerät ist so aufzubewahren, dass mechanische Beschädigungen vermieden werden.
- Nicht zerlegen oder verbrennen, auch nicht nach Ablauf der Gebrauchszeit.
- Beachten Sie, dass Kältemittel geruchlos sein können.

- Rohrleitungen müssen vor physischen Schäden geschützt werden und dürfen nicht in einem unbelüfteten Raum installiert werden, wenn dieser Raum kleiner als 8 m<sup>2</sup> ist.
- Die Einhaltung der geltenden Gasvorschriften ist zu beachten.
- Halten Sie alle erforderlichen Belüftungsöffnungen frei von Hindernissen.
- Das Gerät muss in einem gut belüfteten Bereich aufbewahrt werden, in dem die Raumgröße dem für den Betrieb spezifizierten Raumbereich entspricht.

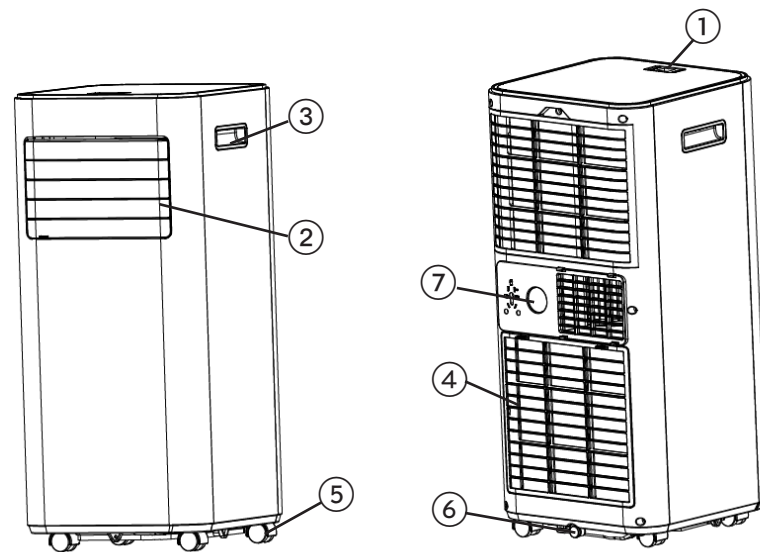


Jede Person, die an Arbeiten an einem Kältemittelkreislauf beteiligt ist oder diesen durchbricht, sollte über ein gültiges Zertifikat einer akkreditierten Prüfstelle verfügen, das ihre Kompetenz zum sicheren Umgang mit Kältemitteln gemäß einer von der Branche anerkannten Bewertungsspezifikation bestätigt.

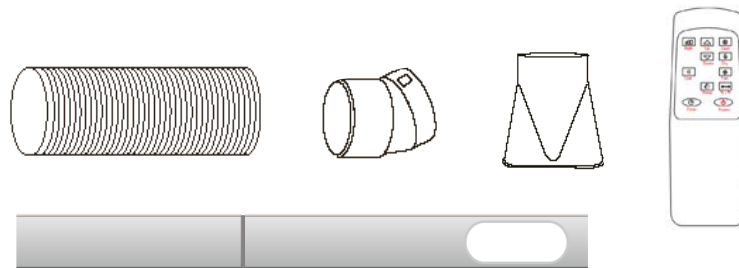


Wartungsarbeiten dürfen nur gemäß den Empfehlungen des Geräteherstellers durchgeführt werden. Wartungs- und Reparaturarbeiten, für die die Unterstützung anderer Fachkräfte erforderlich ist, müssen unter Aufsicht der Person, die für die Verwendung brennbarer Kältemittel zuständig ist, durchgeführt werden.

## PRODUKTÜBERSICHT



DE



1. Bedienfeld
2. Luftauslass mit verstellbaren Luftschlitzen
3. Griff
4. Lufteinlass mit Luftfilter
5. Rollen
6. Ablauföffnung
7. Abluft

- Zubehör:
1. Abluftschlauch
  2. Schlauchkupplung
  3. Adapter für Fensterbausatz
  4. Fernbedienung
  5. Fensterhalterung

**Hinweis:** Die Illustration dient nur als Referenz. Das tatsächliche Produkt kann davon abweichen.

## INSTALLATION

## AUSWAHL DES STANDORTS

- Wenn das Gerät um mehr als 45° gekippt war, warten Sie mindestens 24 Stunden, bevor Sie es in Betrieb nehmen.
- Stellen Sie das Gerät auf eine feste, ebene Fläche in einem Bereich mit mindestens 50 cm Freiraum um es herum auf, um eine gute Luftzirkulation zu ermöglichen.
- Betreiben Sie es nicht in der Nähe von Wänden, Vorhängen oder anderen Gegenständen, die den Lufteinlass und -auslass blockieren könnten. Halten Sie den Lufteinlass und -auslass frei von Hindernissen.
- Stellen Sie das Gerät niemals an Orten auf, an denen es folgenden Bedingungen ausgesetzt sein könnte:
  - Wärmequellen wie Heizkörper, Heizregister, Öfen oder andere wärmeerzeugende Produkte.
  - direkte Sonneneinstrahlung
  - mechanische Vibrationen oder Stöße
  - übermäßiger Staub
  - fehlende Belüftung, wie in einem Schrank oder Bücherregal
  - unebene Oberfläche

## WARNUNG!



- Stellen Sie das Gerät ausschließlich in Räumen über 8 m<sup>2</sup> auf.
- Stellen Sie das Gerät nicht an einem Ort auf, an dem entflammendes Gas austreten kann.

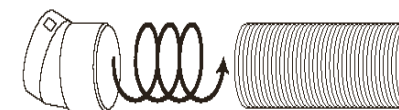
DE

## ABGASSCHLAUCH ANBRINGEN

Das Klimagerät muss nach außen entlüftet werden, damit die Abluft, die aus dem Gerät austritt und Abwärme und Feuchtigkeit enthält, aus dem Raum entweichen kann.

Tauschen Sie den Abluftschlauch nicht aus oder verlängern Sie ihn nicht. Dies würde zu einer verringerten Effizienz führen oder sogar das Gerät aufgrund des niedrigen Gegendrucks abschalten.

**Schritt 1:** Den Schlauchanschluss an einem Ende des Abluftschlauchs anschließen.

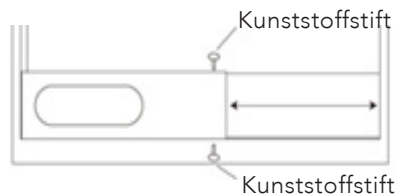


**Schritt 2:** Den Adapter für den Fensterbausatz am anderen Ende des Abluftschlauchs anschließen.

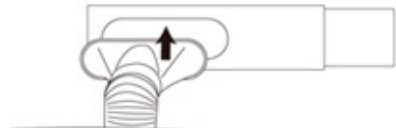


**Schritt 3:** Passen Sie die Fensterhalterungen an die Breite oder Höhe Ihres Fensters an und setzen Sie die Kunststoffstifte ein, um die gewünschte Position zu fixieren.

Hinweis: Befestigen Sie die Fensterhalterung nicht am Fenster. Dieser Schritt dient nur dazu, die Größe Ihres Fensters anzupassen. Die Halterung sollte entfernt werden, nachdem die Größe angepasst wurde.



**Schritt 4:** Verbinden Sie die Fensterhalterung mit dem Adapter des Fensterbausatzes. Stellen Sie sicher, dass alle Verbindungen fest sitzen und ordnungsgemäß montiert sind.

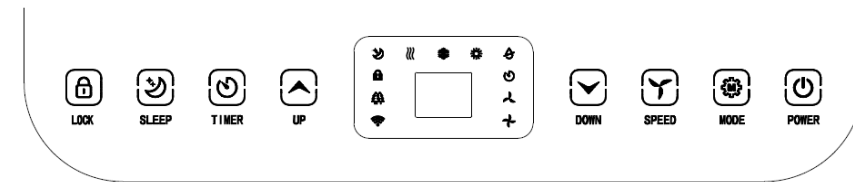


**Schritt 5:** Verbinden Sie die Fensterhalterung mit dem Fenster.



**Schritt 6:** Die Länge des flexiblen Abluftschlauchs einstellen und Knicke im Schlauch vermeiden. Dann das Klimagerät in der Nähe einer Steckdose aufstellen.

## BEDIENFELD UND DISPLAY

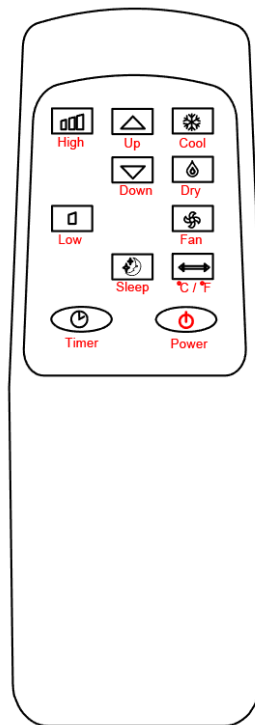


1	LOCK	Taste halten zum Ein- oder Ausschalten der Kindersicherung
2	MODE	Modustaste – Taste zum Umschalten des Betriebsmodus zwischen Lüfter, Kühlung und Entfeuchter
3	UP	Taste zum Erhöhen der gewünschten Temperatur (16 °C bis 32 °C) oder Timereinstellung
4	POWER	Taste zum Ein- oder Ausschalten des Geräts
5	DOWN	Taste zum Verringern der gewünschten Temperatur- oder Timereinstellung
6	SPEED	Taste zum Umschalten der Ventilator Drehzahl zwischen HIGH (HOCH) und LOW (NIEDRIG)
7	TIMER	Taste zum Einstellen einer Zeit für das automatische Starten oder Stoppen des Geräts
8	SLEEP	Taste zum Einstellen des Energiesparmodus. Kann nur im Kühlmodus eingegeben werden
9	Lüfterdrehzahl	Die Anzeige für die Lüfterdrehzahl in den Stufen Hoch (High) oder Niedrig (Low)
10	LED-Anzeige	LED-Anzeige für Raumtemperatur oder Zeiteinstellung
11	Modusanzeige	Anzeige der Moduseinstellung zwischen Lüfter, Kühlung und Entfeuchter

DE

DE

## FERNBEDIENUNG



Bildschirm angezeigt wird. Die Temperatur kann zwischen 16 °C und 32 °C eingestellt werden.

- Drücken Sie die Taste SPEED so oft, bis die gewünschte Lüfterdrehzahlanzeige aufleuchtet.
- Um die Richtung des Luftstroms horizontal zu regeln, stellen Sie bitte den inneren Luftschlitz von Hand ein.

**Hinweis:** Das Klimagerät hält an, wenn die Raumtemperatur unter die gewählte Temperatur sinkt.

### DEN RAUM LÜFTEN

- Drücken Sie die MODE-Taste so oft, bis die Anzeige FAN (Ventilator) aufleuchtet.
- Im Lüftungsmodus wird die Raumluft umgewälzt, aber nicht gekühlt.
- Drücken Sie wiederholt auf die SPEED-Taste, um die gewünschte Ventilatorzahl auszuwählen.

### DEN RAUM TROCKNEN

- Drücken Sie auf die MODE-Taste auf dem Bedienfeld oder der Fernbedienung, bis die Anzeige Dry (Trocknen) aufleuchtet. Die Ventilatorzahl kann nicht ausgewählt werden. Der Benutzer muss den Schlauch an den Ablaufauslass an der Unterseite des Geräts anschließen.

**Hinweis:** In diesem Modus schaltet die Ventilatorgeschwindigkeit auf niedrige Drehzahl um und kann nicht ausgewählt werden.

### ENERGIESPARMODUS

- Die Sleep-Taste kann nur im Kühlmodus eingestellt werden.
- Das Gerät wechselt in den Energiesparmodus, alle Leuchten werden gleichzeitig gedimmt und der Summer ist im Energiesparmodus deaktiviert:
  - 1 Stunde nach dem Einschalten des Energiesparmodus steigt die eingestellte Temperatur automatisch um 1 °C und nach einer weiteren Stunde steigt die eingestellte Temperatur automatisch um 1 °C.
- Nachdem der Energiesparmodus 2 Stunden lang eingeschaltet war, steigt die eingestellte Temperatur nicht mehr an.
- Ventilatorausgang im Energiesparmodus: Der Ventilator schaltet automatisch auf niedrige Stufe. Die Drehzahlleistung ist niedrig und kann nicht angepasst werden. Nach Verlassen des Energiesparmodus kann die Drehzahl vom Benutzer neu eingestellt werden.

DE

## EINSTELLUNGEN

### AN- UND AUSSCHALTEN

- Drücken Sie auf POWER, um das Gerät einzuschalten.
- Drücken Sie die MODE-Taste, um den gewünschten Betriebsmodus auszuwählen.
- Drücken Sie erneut auf POWER, um das Gerät auszuschalten.

### BETRIEBSMODUS

Das Gerät verfügt über vier Betriebsmodi: Cool (Kühlen), Dry (Trocknen), Fan (Ventilator), Sleep (Energiesparen).

### DEN RAUM KÜHLEN

- Um die Temperatur in Ihrem Raum zu senken, wählen Sie den Kühlmodus.
- Drücken Sie die MODE-Taste so oft, bis die Anzeige COOL aufleuchtet.
- Mit den Up- und Down-Tasten stellen Sie die Temperatur ein, die auf dem

DE



## TIMEREINSTELLUNG (1 BIS 24 STUNDEN)

Der Timer verfügt über zwei Betriebsarten:

Ausschalten (wenn eingeschaltet)	→	Timer-Taste drücken, um die Timer-Funktion einzuschalten.	→	Wiederholt die Up/Down-Tasten drücken, um die Ausschaltverzögerungszeit einzustellen.
Einschalten (wenn ausgeschaltet)	→	Timer-Taste drücken, um die Timer-Funktion einzuschalten.	→	Wiederholt die Up/Down-Tasten drücken, um die Einschaltverzögerungszeit einzustellen.
Timer abbrechen	→	Wiederholt die Up/Down-Tasten drücken, bis die LED „00“ anzeigt. <b>Hinweis:</b> Wenn Sie auf POWER drücken, brechen Sie auch den Timer ab		

## ÜBERLASTSCHUTZ

Bei einem Stromausfall kommt es zum Schutz des Kompressors zu einer Verzögerung von 3 Minuten, bis der Kompressor wieder anläuft.

## ENTLEERUNG

### SELBSTVERDAMPFENDES SYSTEM

Das selbstverdampfende System nutzt das aufgefangene Wasser zur Kühlung der Kondensatorspulen für eine bessere, effizientere Leistung. Außer bei hoher Luftfeuchtigkeit muss der Entleerungsbehälter im Kühlmodus nicht geleert werden. Im Trocknungsmodus muss der Entleerungsbehälter geleert werden. Das kondensierte Wasser verdampft am Kondensator und verschwindet durch den Abgasschlauch.

Für Dauerbetrieb oder unbeaufsichtigten Betrieb im Trocknungsmodus schließen Sie bitte den beigefügten Ablaufschlauch an das Gerät an. Das Kondenswasser kann automatisch in einen Eimer oder Abfluss fließen.

- Das Gerät vor der Entleerung ausschalten.
- Den Stopfen der Wasserauslassöffnung abnehmen und sicher aufbewahren.
- Ablaufschlauch sicher und fest anschließen. Sicherstellen, dass er nicht geknickt und frei von Verstopfungen ist.
- Den Schlauchauslass über einem Abfluss oder Eimer halten und sicherstellen, dass das Wasser ungehindert aus dem Gerät fließen kann.



**Gummidichtstopfen entfernen**



**Dauerhafter Ablaufschlauch**

- Das Schlauchende nicht ins Wasser eintauchen, da es sonst zu einer „Luftsperrung“ im Schlauch kommen kann.

### UM EIN VERSCHÜTTEN VON WASSER ZU VERMEIDEN:

- Da der Unterdruck der Kondensatablaufwanne groß ist, den Ablaufschlauch nach unten zum Boden hin neigen. Der Neigungsgrad sollte 20 Grad überschreiten.
- Den Schlauch gerade halten, um ein Einklemmen von Wasser im Schlauch zu vermeiden.

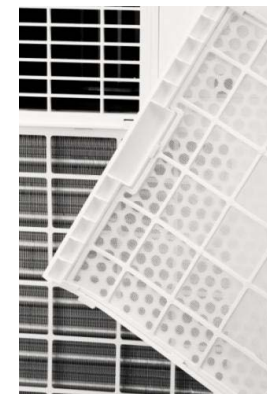
## DEMONTAGE UND REINIGUNG

### REINIGUNG DES LUFTFILTERS (ALLE ZWEI WOCHEN)

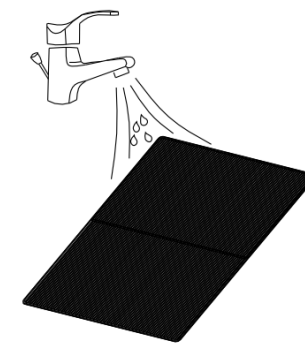
Staub sammelt sich am Filter an und behindert den Luftstrom. Der eingeschränkte Luftstrom verringert die Effizienz des Systems und kann bei Verstopfung zu Schäden am Gerät führen.

Der Luftfilter muss regelmäßig gereinigt werden. Zur einfachen Reinigung ist der Luftfilter abnehmbar. Betreiben Sie das Gerät nicht ohne Luftfilter, da sonst der Verdampfer verunreinigt werden könnte.

1. Die POWER-Taste drücken, um das Gerät auszuschalten, und das Netzkabel herausziehen.
2. Das Filtergitter vom Gerät abnehmen.
3. Den Filter mit einem Staubsauger absaugen.
4. Den Filter wenden und den Luftfilter unter fließendem Wasser spülen. Das Wasser in entgegengesetzter Richtung zum Luftstrom durch den Filter laufen lassen. Vor dem Wiedereinbau den Filter zur Seite stellen und vollständig an der Luft trocknen lassen.



**Das Gerät ausschalten und die beiden Luftfilter herausnehmen.**



**Luftfilter unter fließendem Wasser abspülen.**

## PROBLEMLÖSUNG

Problem	Mögliche Ursachen	Lösungen
Das Gerät arbeitet nicht	Stromanschluss auf festen Sitz prüfen.	Das Netzkabel fest in die Steckdose stecken.
	Prüfen, ob die Wasserstandsanzeige aufleuchtet	Die Auffangwanne durch Herausnehmen des Gummistopfens leeren.
	Die Raumtemperatur überprüfen.	Der Betriebstemperaturbereich beträgt 5 bis 35 °C.
Das Gerät arbeitet mit reduzierter Kapazität.	Luftfilter auf Staub kontrollieren.	Luftfilter bei Bedarf reinigen.
	Prüfen, ob der Luftkanal verstopft ist.	Das Hindernis entfernen.
	Prüfen, ob Tür oder Fenster geöffnet sind.	Tür und Fenster geschlossen halten.
	Prüfen, ob die gewünschte Betriebsart gewählt und die Temperatur korrekt eingestellt ist.	Den Modus und die Temperatur am gewünschten Punkt gemäß Handbuch einstellen (siehe Seite 16).
Wasseraustritt	Der Abgasschlauch hat sich gelöst.	Sicherstellen, dass der Abluftschlauch sicher befestigt ist.
	Überlauf bei Bewegungen des Geräts.	Wasserbehälter vor dem Transport leeren.
Übermäßige Geräusentwicklung	Prüfen, ob der Ablaufschlauch geknickt oder gebogen ist.	Den Schlauch gerade ausrichten, um ein Anstauen von Wasser zu vermeiden.
	Sicherstellen, dass das Gerät fest auf dem Boden steht.	Das Gerät auf einen waagrechten, festen Boden stellen.
	Prüfen, ob lose, vibrierende Teile vorhanden sind.	Die Teile sichern und festziehen.
	Geräusche klingen wie fließendes Wasser.	Geräusche entstehen durch fließendes Kältemittel. Das ist normal.

## AUFBEWAHRUNG

Langfristige Aufbewahrung – Wenn Sie das Gerät über einen längeren Zeitraum (mehr als einige Wochen) nicht verwenden, sollten Sie es am besten reinigen und vollständig trocknen. Lagern Sie das Gerät bitte gemäß den folgenden Schritten:

1. Den Stecker des Geräts herausziehen und den Abluftschlauch und den Fensterbausatz abnehmen; diese zusammen mit dem Gerät aufbewahren.
2. Das restliche Wasser aus dem Gerät ablassen.
3. Den Filter reinigen und in einem schattigen Bereich vollständig trocknen lassen.
4. Den Filter wieder einsetzen.
5. Das Gerät muss während der Lagerung aufrecht stehen.
6. Bewahren Sie das Gerät in einem gut belüfteten, trockenen, nicht korrosiven und sicheren Innenraum auf.

## WLAN-BESCHREIBUNG

### INFORMATIONEN ZUR APP „WILIFE“

Die App „WiLife“ ist für Android und iOS verfügbar. Scannen Sie den entsprechenden QR-Code, um direkt zum Download zu gelangen.



### INFORMATIONEN ZUR NUTZUNG DER APP

Mit dieser App können Sie das Gerät über Ihr Heimnetzwerk bedienen. Voraussetzung ist eine permanente WLAN-Verbindung zu Ihrem Router und die kostenlose App „WiLife“.

Um unbeabsichtigtes Einschalten von unterwegs zu vermeiden, empfehlen wir, das Gerät von der Stromversorgung zu trennen, wenn Sie nicht zu Hause sind.

### SYSTEMANFORDERUNGEN FÜR DIE APP

- iOS 11.0 oder höher
- Android 5.0 oder höher
- Bluetooth 4.2

### INBETRIEBNAHME ÜBER DIE APP FÜR WLAN

1. Die App „WiLife“ installieren. Ein Benutzerkonto erstellen.
2. Die WLAN-Funktion in den Einstellungen Ihres Geräts aktivieren.
3. Das Gerät in einem Abstand von ca. 5 Metern zu Ihrem Router aufstellen.
4. Die Timer-Taste etwa 3 Sekunden lang gedrückt halten. Die WLAN-Leuchte blinkt schnell.
5. Die App starten und auf „+“ drücken.
6. Das Menü „Air Conditioner“ wählen und den Anweisungen auf dem Display folgen.
7. Nach erfolgreicher Verbindung leuchtet die WLAN-Leuchte auf. Jetzt können Sie das Gerät über die App bedienen.
8. Die Timer-Taste ca. 3 Sekunden lang gedrückt halten, das Gerät wird getrennt, die WLAN-Leuchte erlischt.

### INBETRIEBNAHME VIA APP FÜR BLUETOOTH

1. Die App „WiLife“ installieren. Ein Benutzerkonto erstellen.
2. Bluetooth auf Ihrem Smartphone einschalten.
3. Das Gerät einschalten.
4. Die App in einem Umkreis von 10 Metern um das Gerät herum öffnen. Das Gerät sollte automatisch am unteren Bildschirmrand erscheinen.
5. Den weiteren Anweisungen in der App folgen.

DE

### FEHLERBEHEBUNG BEI DER VERBINDUNG

Problem	Lösungen
Beim Versuch, eine WLAN-Verbindung herzustellen, wird das Gerät in der App nicht angezeigt	Sicherstellen, dass Bluetooth auf Ihrem Smartphone eingeschaltet ist. Ihre Internetverbindung für 3 Minuten ausschalten. Ihr Smartphone in einem Abstand von 10 Metern zum Gerät halten und erneut versuchen, eine Bluetooth-Verbindung herzustellen.
Beim Versuch, eine Bluetooth-Verbindung herzustellen, wird das Gerät in der App nicht angezeigt	Rechts oben auf + und dann auf „Large Home Appliances“ (Große Haushaltsgeräte) drücken und Air Conditioner (Klimagerät) ergänzen. Die Timer-Taste 3 Sekunden lang gedrückt halten, bis die WLAN-Leuchte erlischt. Dann den Anweisungen in der App folgen
Die App funktioniert nicht zur Steuerung des Geräts	Sicherstellen, dass Sie mit WLAN verbunden sind. Wenn das WLAN ausgefallen ist, sicherstellen, dass Sie mit Bluetooth verbunden sind  Das Gerät für 5 Sekunden aus- und dann wieder einschalten.  Die App neu starten.

DE



## GARANTIE

Wilfa gewährt auf dieses Produkt 5 Jahre Garantie ab Kaufdatum. Die Garantie deckt Produktionsfehler oder Mängel ab, die während der Garantiezeit auftreten. Ihr Kaufbeleg dient als Nachweis gegenüber dem Händler, wenn Sie Ihre Garantie in Anspruch nehmen.

Die Garantie gilt nur für Produkte, die für Privathaushalte gekauft und dort verwendet werden. Die Garantie gilt nicht, wenn das Produkt gewerblich verwendet wird. Die Garantie gilt nicht bei unsachgemäßer oder fahrlässiger Verwendung, Nichtbefolgung der Anleitungen von Wilfa oder falls das Gerät modifiziert oder eine nicht-autorisierte Reparatur daran vorgenommen wird. Die Garantie gilt auch nicht für normalen Verschleiß und Abnutzung des Produkts, fehlerhafte Verwendung, mangelhafte Pflege, Verwendung einer falschen elektrischen Spannung oder:

- Überlastung des Produkts
- Teile, die normal abgenutzt sind
- Teile, bei denen ein regelmäßiger Austausch zu erwarten ist (z. B. Filter, Batterie usw.)

**Die Gebrauchsanweisung finden Sie auch auf unserer Website [wilfa.com](http://wilfa.com)**

## TECHNISCHE DATEN

AC1W-7000/AC1B-7000C: 220-240V~, 50Hz, 780W, 130g R290  
AC1B-9000C: 220-240V~, 50Hz, 1005W, 170g R290

## SUPPORT UND ERSATZTEILE

Support erhalten Sie auf **wilfa.com** und auf unserer Kundenservice-/Supportseite. Dort finden Sie Antworten auf häufig gestellte Fragen, Ersatzteile, Tipps und Tricks sowie alle unsere Kontaktdaten.

## RECYCLINGFÄHIGKEIT



Diese Kennzeichnung weist darauf hin, dass das Produkt in der EU nicht über den Hausmüll entsorgt werden darf. Um mögliche Schäden für die Umwelt oder die menschliche Gesundheit durch unkontrollierte Abfallentsorgung zu vermeiden, recyceln Sie das Gerät verantwortungsvoll. Sie fördern so die nachhaltige Wiederverwendung von Materialressourcen. Um Ihr Altgerät zurückzugeben, nutzen Sie bitte eines der Rückgabe- und Sammelsysteme oder wenden Sie sich an den Händler, bei dem das Produkt gekauft wurde. Dort kann das Produkt kostenlos für ein umweltfreundliches Recycling zurückgenommen werden.



Das Ablassen von Kältemittel in die Atmosphäre ist strengstens untersagt!

NL

## INHOUDSOPGAVE

136	BELANGRIJKE VEILIGHEIDSINSTRUCTIES
138	SYMBOLLEN OP HET APPARAAT EN IN DE GEBRUIKERSHANDLEIDING
139	OPERATIONELE VOORZORGSMATREGELEN
142	PRODUCTOVERZICHT
143	INSTALLATIE
143	DE UITLAATSLANG AANSLUITEN
145	BEDIENINGSPANEEL EN SCHERM
146	AFSTANDBEDIENING
146	INSTELLINGEN
148	TIJDSINSTELLING (1 UUR – 24 UUR)
148	AFVOER
149	DEMONTAGE EN REINIGING
150	PROBLEEMOPLOSSING
151	OPSLAG
151	WIFIOMSCHRIJVING
154	GARANTIE
155	PRODUCTSPECIFICATIES
155	ONDERSTEUNING EN RESERVEONDERDELEN
155	RECYCLING

NL

## BELANGRIJKE VEILIGHEIDSINSTRUCTIES

- Lees deze gebruiksaanwijzing vóór gebruik zorgvuldig door en bewaar deze voor toekomstig gebruik. De gebruiksaanwijzing is ook beschikbaar op onze website: wilfa.com.
- Dit apparaat kan door kinderen vanaf 8 jaar worden gebruikt en door personen met een fysieke, zintuiglijke of verstandelijke beperking en/of door mensen die een gebrek aan ervaring of kennis hebben, mits zij het apparaat onder toezicht gebruiken of instructies hebben gekregen over de veilige manier waarop het apparaat moet worden gebruikt en de hieraan gerelateerde gevaren hebben begrepen. Kinderen dienen het apparaat niet als speelgoed te gebruiken. Reiniging en onderhoud mogen niet uitgevoerd worden door kinderen die niet onder toezicht staan.
- Dit product is uitsluitend bestemd voor huishoudelijk gebruik binnenshuis en is niet bestemd voor industrieel of commercieel gebruik.
- Als het snoer beschadigd is, dient dit vervangen te worden door de fabrikant, de servicemonteur of soortgelijke gekwalificeerde personen, om gevaarlijke situaties te voorkomen.
- Het apparaat is uitsluitend ontworpen voor gebruik met R-290 (propaan-)gas als het aangewezen koelmiddel.
- Het koelmiddelcircuit is afgedicht. Alleen een gekwalificeerde technicus mag onderhoud uitvoeren!

NL

- Tap het koelmiddel niet af naar de atmosfeer.
- R-290 (propaan) is brandbaar en zwaarder dan lucht. Het gas hoopt zich eerst op in lage ruimtes, maar kan door ventilatoren verspreid worden.
- Als er propaangas aanwezig is of zelfs maar vermoed wordt, laat ongetraind personeel dan niet proberen de oorzaak te achterhalen.
- Het propaangas dat in het apparaat gebruikt wordt, heeft geen geur.
- Het gebrek aan geur betekent niet dat er geen gas ontsnapt is.
- Als er een lek gedetecteerd wordt, evacueer dan onmiddellijk alle personen uit de winkel, ventileer de ruimte en neem contact op met de lokale brandweer om hen te laten weten dat er een propaanlek opgetreden is.
- Laat geen personen terug in de ruimte komen voordat de gekwalificeerde servicetechnicus aangekomen is en de technicus aangegeven heeft dat het veilig is om terug te keren naar de ruimte.
- Er mogen geen open vuur, sigaretten of andere mogelijke ontstekingsbronnen in of in de buurt van de eenheden gebruikt worden.
- Componentonderdelen zijn ontworpen voor propaan en veroorzaken geen vlammen of vonken. Componentonderdelen mogen alleen vervangen worden door identieke vervangingsonderdelen.

NL

ALS DEZE WAARSCHUWING NIET IN ACHT GENOMEN WORDT, KAN DIT LEIDEN TOT EEN EXPLOESIE, OVERLIJDEN, LETSEL EN MATERIËLE SCHADE.

Als koelmiddel wordt het milieuvriendelijke R290 gebruikt. R290 heeft geen schadelijke invloed op de ozonlaag (ODP), een verwaarloosbaar broeikaseffect (GWP) en is wereldwijd verkrijgbaar. R290 is vanwege zijn efficiënte energie-eigenschappen uitermate geschikt als koelmiddel voor deze toepassing. Vanwege de hoge ontvlambaarheid van het koelmiddel moeten speciale voorzorgsmaatregelen genomen worden.

#### SYMBOLLEN OP HET APPARAAT EN IN DE GEBRUIKERSHANDLEIDING



Waarschuwing

Dit apparaat gebruikt een brandbaar koelmiddel. Als er koelmiddel lekt en in contact komt met vuur of hete onderdelen, ontstaat er schadelijk gas en bestaat er brandgevaar.



Lees de GEBRUIKERSHANDLEIDING zorgvuldig door voordat u het apparaat in gebruik neemt.



Meer informatie is beschikbaar in de GEBRUIKERSHANDLEIDING, de ONDERHOUDSHANDLEIDING en dergelijke.



Het onderhoudspersoneel moet de GEBRUIKERSHANDLEIDING en de ONDERHOUDSHANDLEIDING zorgvuldig lezen voordat het apparaat in gebruik genomen wordt.

#### OPERATIONELE VOORZORGSMATREGELEN

WAARSCHUWING – om het risico van brand, elektrische schokken, lichamelijk letsel of schade aan eigendommen te beperken:

- Gebruik het apparaat altijd op een voedingsbron met gelijke spanning, frequentie en nominale waarde zoals aangegeven op het identificatieplaatje van het product.
- Gebruik altijd een geaard stopcontact.
- Trek de stekker uit het stopcontact wanneer u het apparaat reinigt of niet gebruikt.
- Bedien het apparaat niet met natte handen. Voorkom dat er water op het apparaat gemorst wordt.
- Dompel het apparaat niet onder en stel het niet bloot aan regen, vocht of andere vloeistoffen.
- Laat het apparaat niet onbeheerd achter. Kantel of draai het apparaat niet.
- Trek de stekker niet uit het stopcontact terwijl het apparaat in gebruik is.
- Haal de stekker niet uit het stopcontact door aan het netsnoer te trekken.
- Gebruik geen verlengsnoer of koppelstekker.
- Plaats geen voorwerpen op het apparaat.
- Klim niet op het apparaat en ga er niet op zitten.
- Steek geen vingers of andere voorwerpen in de luchttuitlaat.

- Raak de luchtinlaat of aluminium lamellen van het apparaat niet aan.
- Gebruik het apparaat niet als het gevallen, beschadigd of defect is.
- Reinig het apparaat niet met chemicaliën.
- Zorg ervoor dat het apparaat uit de buurt is van vuur, ontvlambare of explosieve voorwerpen.
- Het apparaat moet geïnstalleerd worden in overeenstemming met de nationale bedradingsvoorschriften.
- Gebruik uitsluitend de middelen die door de fabrikant aanbevolen worden om het ontdooiproces te versnellen of om het apparaat te reinigen.
- Het apparaat moet opgeslagen worden in een ruimte zonder continu werkende ontstekingsbronnen (bijvoorbeeld: open vuur, een werkend gas-toestel of een werkende elektrische verwarming).
- Het apparaat moet zo opgeslagen worden dat mechanische schade voorkomen wordt.
- Demonteer of verbrand het apparaat niet, zelfs niet na gebruik.
- Houd er rekening mee dat koelmiddelen geen geur mogen hebben.
- Leidingen moeten beschermd worden tegen fysieke schade en mogen niet geïnstalleerd worden

in een niet-geventileerde ruimte als die ruimte kleiner is dan 8 m<sup>2</sup>.

- De nationale gasvoorschriften moeten nageleefd worden.
- Houd alle benodigde ventilatieopeningen vrij van obstakels.
- Het apparaat moet opgeslagen worden in een goed geventileerde ruimte waar de grootte van de ruimte overeenkomt met de ruimte waarin het apparaat gebruikt wordt.



WAARSCHUWING

Iedereen die betrokken is bij werkzaamheden aan of het openen van een koelmiddelcircuit moet in het bezit zijn van een geldig certificaat van een door de sector geaccrediteerde beoordelingsinstantie, die zijn competentie erkent om koelmiddelen veilig te hanteren in overeenstemming met een door de sector erkende beoordelingspecificatie.

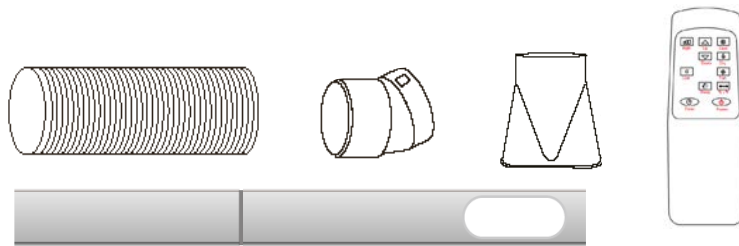
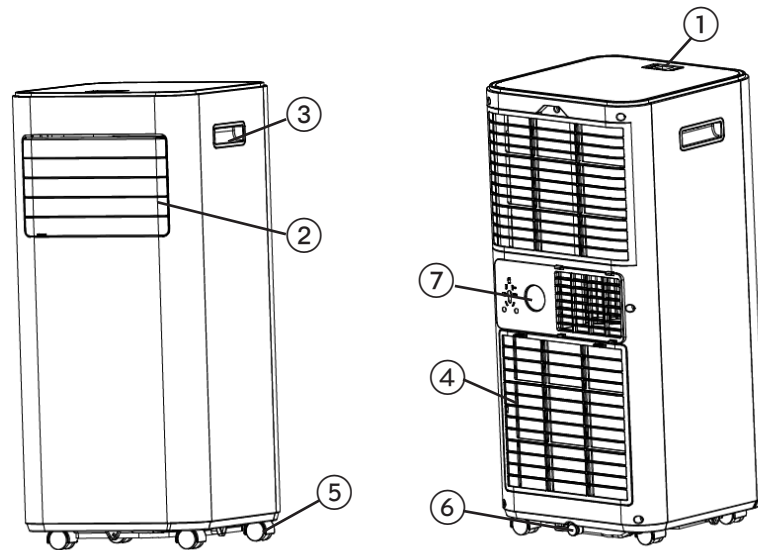


WAARSCHUWING

Onderhoud mag alleen uitgevoerd worden volgens de aanbevelingen van de fabrikant van de apparatuur. Onderhoud en reparaties die de hulp van ander bekwaam personeel vereisen, moeten uitgevoerd worden onder toezicht van de persoon die bevoegd is voor het gebruik van ontvlambare koelmiddelen.



## PRODUCTOVERZICHT



1. Bedieningspaneel
2. Luchtuitlaat met instelbaar rooster
3. Handgreep
4. Luchtinlaat met luchtfilter
5. Wiel
6. Afvoeropening
7. Luchtuitlaat

## Accessoires:

1. Uitlaatslang
2. Slangkoppeling
3. Raamsetadapter
4. Afstandsbediening
5. Raambeugel

**Opmerking:** De afbeelding dient alleen ter referentie. Bekijk het echte product voor meer informatie.

## INSTALLATIE

## KIES UW LOCATIE

- Als het apparaat meer dan 45° gekanteld is, laat het dan minstens 24 uur rechtop staan voordat u het opstart.
- Plaats het apparaat op een stevige, vlakke ondergrond op een plaats met minstens 50 cm vrije ruimte rondom om een goede luchtcirculatie mogelijk te maken.
- Gebruik het apparaat niet in de buurt van muren, gordijnen of andere voorwerpen die de luchtinlaat en -uitlaat kunnen blokkeren. Houd de luchtinlaat en -uitlaat vrij van obstakels.
- Installeer het apparaat nooit op een plaats waar het blootgesteld wordt aan:
  - Warmtebronnen zoals radiatoren, verwarmingsregisters, kachels of andere toestellen die warmte produceren.
  - Direct zonlicht
  - Mechanische trillingen of schokken
  - Overmatig stof
  - Gebrek aan ventilatie, zoals een kast of boekenkast
  - Een oneffen oppervlak

## WAARSCHUWING!



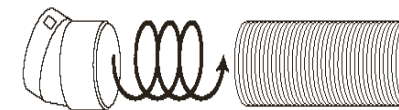
- Installeer de eenheid in ruimtes met een oppervlakte van meer dan 8 m<sup>2</sup>.
- Installeer het apparaat niet op een plaats waar ontvlambaar gas kan lekken.

## DE UITLAATSLANG AANSLUITEN

De airconditioning moet naar buiten geventileerd worden, zodat de afvoerlucht die restwarmte en vocht bevat kan ontsnappen uit de ruimte waar het apparaat geïnstalleerd is.

Vervang of verleng de uitlaatslang niet, omdat dit leidt tot een verminderde efficiëntie of zelfs het apparaat kan uitschakelen door een lage tegendruk.

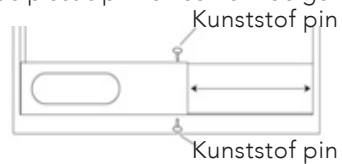
**Stap 1:** Sluit de slangkoppeling aan op het ene uiteinde van de uitlaatslang.



**Stap 2:** Sluit de raamsetadapter aan op het andere uiteinde van de uitlaatslang.



**Stap 3:** Stel de raambeugels af op de breedte of hoogte van uw raam en breng de plastic pinnen aan om de gewenste positie vast te zetten.



Let op: installeer de raambeugel niet op de ruit. Deze stap is alleen bedoeld om de beugel aan de afmetingen van uw raam aan te passen. De beugel moet worden verwijderd nadat de maat is aangepast.

**Stap 4:** Sluit de raambeugel aan op de raamsetadapter. Zorg ervoor dat alle aansluitingen stevig vastzitten en correct zijn geïnstalleerd.

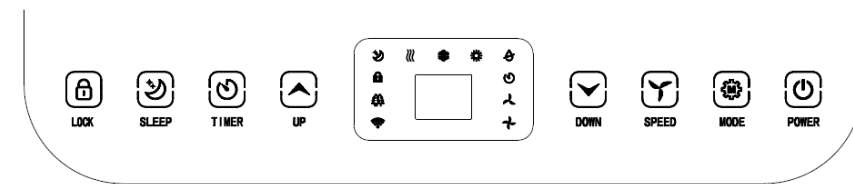


**Stap 5:** Bevestig de raambeugel aan de ruit.



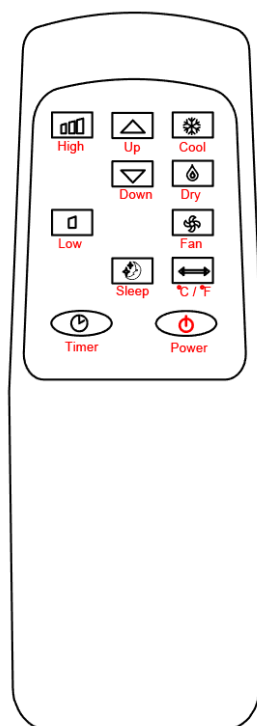
**Stap 6:** Pas de lengte van de flexibele uitlaatslang aan en vermijd bochten in de slang. Plaats de wisselstroom vervolgens in de buurt van een stopcontact.

## BEDIENINGSPANEEL EN SCHERM



1	SLOT	Druk houd ingedrukt op deze knop om het kinderslot in of uit te schakelen.
2	MODE (MODUS)	Modusknop Druk op deze knop om de bedrijfsmodus te schakelen tussen ventilator, koeling en ontvochtiger.
3	UP (OMHOOG)	De gewenste temperatuur (16 °C – 32 °C) of timerinstelling verhogen.
4	POWER (AAN/UIT)	Indrukken om het apparaat in of uit te schakelen.
5	DOWN (OMLAAG)	De gewenste temperatuur of timerinstelling verlagen.
6	SPEED (SNELHEID)	Indrukken om de ventilatorsnelheid te schakelen tussen HOOG en LAAG.
7	TIMER	Bepaalt wanneer de eenheid automatisch moet starten of stoppen.
8	SLEEP (SLAPEN)	Indrukken om naar de slaapmodus te gaan. Kan alleen gekozen worden in koelmodus.
9	Ventilator-snelheid	Scherm voor de ventilatorsnelheid in hoog of laag.
10	Ledscherm	Dit ledscherm geeft de kamertemperatuur of tijdstelling weer.
11	Modusscherm	Dit scherm geeft de modusinstelling weer, namelijk ventilator, koeling of ontvochtiger.

## AFSTANDSBEDIENING



## INSTELLINGEN

### OPSTARTEN EN UITSCHAKELEN

- Druk op POWER om het apparaat in te schakelen.
- Druk op de MODE-knop om de gewenste werkingsmodus te selecteren.
- Druk nogmaals op POWER om het apparaat uit te schakelen.

### WERKINGSMODUS

De eenheid heeft vijf bedrijfsmodi: Koelen, drogen, ventileren, slapen.

### KOELING VAN UW KAMER

- Selecteer de koelmodus om de temperatuur in uw kamer te verlagen.
- Druk herhaaldelijk op de MODE-knop totdat het indicatielampje COOL gaat branden.

- Druk op de knop Up/Down (omhoog/omlaag) om de temperatuur aan te passen die op het scherm weergegeven wordt. De temperatuur kan ingesteld worden tussen 16 °C en 32 °C.
- Druk herhaaldelijk op de knop SPEED (SNELHEID) totdat het gewenste indicatielampje voor de ventilatorsnelheid brandt.
- Stel de binnenklep met de hand af om de richting van de luchtstroom horizontaal te regelen.

**Opmerking:** De airconditioning stopt als de kamertemperatuur lager is dan de geselecteerde temperatuur.

### UW KAMER VENTILEREN

- Druk herhaaldelijk op de MODE-knop totdat het indicatielampje VENTILATOR brandt.
- In de ventilatiemodus wordt de lucht in de kamer gecirculeerd, maar niet gekoeld.
- Druk herhaaldelijk op de knop SPEED (SNELHEID) om de gewenste ventilatorsnelheid te selecteren.

### UW KAMER DROGEN

- Druk op de MODE-knop op het bedieningspaneel of de afstandsbediening. Het indicatielampje voor de droogmodus gaat branden. De ventilatorsnelheid kan niet geselecteerd worden. De gebruiker moet de slang aansluiten op de afvoeruitlaat aan de onderkant van het apparaat.

**Opmerking:** In deze modus schakelt de ventilatorsnelheid over naar lage snelheid en kan deze niet geselecteerd worden.

### SLAAPSTAND

- De slaapknop kan alleen ingesteld worden in de koelmodus.
- De machine gaat naar de slaapmodus, alle lampjes worden tegelijkertijd gedimd en de zoemer wordt uitgeschakeld in de slaapmodus:
  - 1 uur nadat de slaapstand ingeschakeld is, wordt de ingestelde temperatuur automatisch met 1 °C verhoogd en na nog een uur wordt de ingestelde temperatuur automatisch met 1 °C verhoogd.
- Nadat de slaapmodus 2 uur ingeschakeld is, neemt de ingestelde temperatuur niet meer toe.
- Ventilatorvermogen tijdens slaapstand: de ventilator schakelt automatisch naar de lage instelling. De windsnelheid is laag en kan niet aangepast worden. Na het verlaten van de slaapmodus kan de gebruiker de windsnelheid weer instellen.

## TIJDSINSTELLING (1 UUR – 24 UUR)

De timer heeft twee bedieningswijzen:

Uitschakelen (als de stroom ingeschakeld is)	→	Druk op de knop Timer om de timerfunctie in te schakelen.	→	Druk herhaaldelijk op Om- hoog /Omlaag (Up/Down) om de vertraging van de UIT-tijd (OFF) in te stellen.
Inschakelen (als de stroom uitgeschakeld is)	→	Druk op de knop Timer om de timerfunctie in te schakelen.	→	Druk herhaaldelijk op Omhoog /Omlaag (Up/ Down) om de vertraging van de AAN-tijd (ON) in te stellen.
Timer annuleren	→	Druk herhaaldelijk op Omhoog /Omlaag (Up/Down) totdat de led '00' weergeeft. <b>Opmerking:</b> door op POWER te drukken, annuleert u ook de timer.		

## OVERBELASTINGSBEVEILIGING

Bij een stroomonderbreking is er een vertraging van 3 minuten voordat de compressor opnieuw start om de compressor te beschermen.

## AFVOER

### ZELFVERDAMPEND SYSTEEM

Het zelfverdampende systeem gebruikt het opgevangen water om de condensorspoelen te koelen voor betere, efficiëntere prestaties. Het is niet nodig om de afvoertank in de koelmodus te legen, behalve in omstandigheden met een hoge luchtvochtigheid. In de droogmodus moet de afvoertank geleegd worden. Het gecondenseerde water verdampt bij de condensor en verdwijnt via de uitlaatslang.

Sluit de aangesloten afvoerslang aan op de eenheid voor continu gebruik of onbeheerd gebruik in de droogmodus. Gecondenseerd water kan automatisch in een emmer of afvoer lopen.

- Schakel het apparaat uit voordat u het in gebruik neemt.
- Verwijder de stop van de waterafvoeropening en bewaar deze op een veilige plaats.
- Sluit de afvoerslang veilig en correct aan. Zorg ervoor dat ze niet geknikt is en niet geblokkeerd raakt.



Verwijder de  
rubberen afdichtingsstop.

Continue afvoerslang

- Plaats de uitlaat van de slang over een afvoer of emmer en zorg ervoor dat het water vrij uit de eenheid kan stromen.
- Dompel het uiteinde van de slang niet onder in water; dit kan leiden tot lucht-blokkering in de slang.

### VOORKOM MORSEN VAN WATER:

- Omdat de negatieve druk van de condensafvoerbak groot is, kantelt u de afvoerslang omlaag naar de vloer. De hellingsgraad moet meer dan 20 graden bedragen.
- Draai de slang recht om te voorkomen dat er water in de slang blijft zitten.

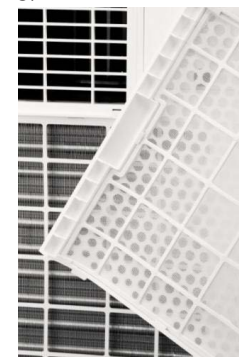
## DEMONTAGE EN REINIGING

### HET LUCHTFILTER REINIGEN (OM DE TWEE WEKEN)

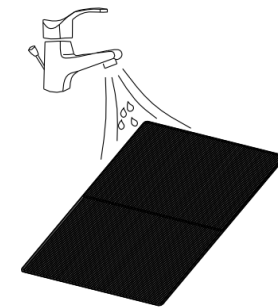
Stof verzamelt zich op het filter en beperkt de luchtstroom. De beperkte luchtstroom vermindert de efficiëntie van het systeem en als het geblokkeerd raakt, kan het schade aan de eenheid veroorzaken.

Het luchtfilter moet regelmatig gereinigd worden. Het luchtfilter kan verwijderd worden voor eenvoudige reiniging. Gebruik de eenheid niet zonder luchtfilter, omdat de verdamper anders verontreinigd kan raken.

1. Druk op de POWER-knop om het apparaat uit te schakelen en trek de stekker uit het stopcontact.
2. Verwijder het filtergaas van de eenheid.
3. Gebruik een stofzuiger om stof van het filter te zuigen.
4. Draai het filter om en spoel het luchtfilter af onder stromend water. Laat het water in de tegenovergestelde richting van de luchtstroom door het filter stromen. Zet het filter opzij en laat het volledig aan de lucht drogen voordat u het terugplaatst.



Schakel het apparaat uit en  
verwijder de twee luchtfilters.



Spoel het luchtfilter af  
onder stromend water.

## PROBLEEMOPLOSSING

Probleem	Mogelijke oorzaken	Oplossingen
De eenheid werkt niet	Controleer of het netsnoer goed vastzit.	Steek het netsnoer stevig in het stopcontact.
	Controleer of de niveau-markering voor het water brandt.	Leeg de opvangbak door de rubberen stop te verwijderen.
	Controleer de kamertemperatuur.	De werkingstemperatuur ligt tussen 5-35 °C.
De eenheid werkt met verminderde capaciteit.	Controleer het luchtfilter op stof.	Reinig het luchtfilter indien nodig.
	Controleer of het luchtkanaal geblokkeerd is.	Verwijder het obstakel.
	Controleer of de deur of het raam open staat.	Houd de deur en de ramen gesloten.
	Controleer of de gewenste werkingsmodus geselecteerd is en of de temperatuur correct ingesteld is.	Stel de modus en temperatuur zoals gewenst in volgens de handleiding (zie pagina 16).
	De uitlaatslang is los.	Controleer of de uitlaatslang goed vastzit.
Waterlekkage	Er lekt water tijdens het verplaatsen van de eenheid.	Leeg de watertank voor u het apparaat verplaatst.
	Controleer of de afvoerslang geknikt of verbogen is.	Draai de slang recht om te voorkomen dat er water vast komt te zitten.
Overmatig lawaai	Controleer of de eenheid stevig bevestigd is.	Plaats de eenheid op een horizontale en stevige ondergrond.
	Controleer op losse, trillende onderdelen.	Zet de onderdelen vast en draai ze vast.
	Geluid klinkt als stromend water.	Lawaai is afkomstig van stromend koelmiddel. Dit is normaal.

## OPSLAG

Langdurige opslag – Als u het apparaat gedurende langere tijd (meer dan enkele weken) niet gebruikt, kunt u het best het apparaat reinigen en volledig drogen. Berg de eenheid op volgens onderstaande procedure:

1. Haal de stekker van het apparaat uit het stopcontact en verwijder de uitlaatslang en de raamset samen met het apparaat.
2. Tap het resterende water uit de eenheid af.
3. Reinig het filter en laat het volledig drogen in een schaduwrijke omgeving.
4. Plaats het filter terug.
5. Het apparaat moet rechtop staan wanneer het opgeborgen wordt.
6. Bewaar het apparaat op een geventileerde, droge en veilige plaats binnen. Stel het niet bloot aan corrosieve gassen.

## WIFIOMSCHRIJVING

## INFORMATIE OVER DE APP 'SMART LIFE-SMART LIVING'

De app 'WiLife' is beschikbaar voor Android en iOS. Scan de bijbehorende QR-code om de app meteen te downloaden.



## INFORMATIE OVER HET GEBRUIK VAN DE APP

Met deze app kunt u het apparaat bedienen via uw thuisnetwerk. Een voorwaarde is een permanente wifiverbinding met uw router en de gratis app 'WiLife'.

We raden u aan het apparaat van de stroomvoorziening los te koppelen wanneer u niet thuis bent, om te voorkomen dat het onbedoeld ingeschakeld wordt terwijl u onderweg bent.

## SYSTEEMVEREISTEN VOOR HET GEBRUIK VAN DE APP

- iOS 11.0 of hoger
- Android 5.0 of hoger
- Bluetooth 4.2

### INBEDRIJFSTELLING VIA DE APP VOOR WIFI

1. Installeer de app 'WiLife'. Maak een gebruikersaccount aan.
2. Activeer de wififunctie in de instellingen van uw apparaat.
3. Plaats het apparaat op ongeveer 5 meter afstand van uw router.
4. Houd de timerknop ongeveer 3 seconden ingedrukt. De wifilamp knippert snel.
5. Start de app en selecteer '+'.  
6. Selecteer het menu 'Airconditioner' en volg de instructies op het scherm.
7. Als het apparaat succesvol aangesloten is, gaat de wifilamp branden. Nu kunt u het apparaat bedienen via de app.
8. Houd de timerknop ongeveer 3 seconden ingedrukt. Het apparaat wordt losgekoppeld en het wifilampje gaat uit.

### INBEDRIJFSTELLING VIA DE APP VOOR BLUETOOTH

1. Installeer de app 'WiLife'. Maak een gebruikersaccount aan.
2. Schakel bluetooth in op uw smartphone.
3. Schakel het apparaat in.
4. Open de app binnen 10 meter van het apparaat en het apparaat zou automatisch moeten verschijnen onderaan uw scherm.
5. Volg de verdere instructies op de app.

### PROBLEEMOPLOSSING VERBINDING

Probleem	Oplossingen
Het apparaat verschijnt niet in de app wanneer u verbinding probeert te maken met wifi.	Zorg ervoor dat uw bluetooth ingeschakeld is op uw smartphone. Schakel uw internet 3 minuten uit. Houd uw telefoon binnen 10 meter van het apparaat en probeer opnieuw verbinding te maken met bluetooth.
Het apparaat verschijnt niet in de app wanneer u verbinding probeert te maken met bluetooth.	Druk op de + in de rechterbovenhoek en druk op 'grote huishoudelijke apparaten'. Voeg daarna 'airconditioner' toe. Houd de timerknop 3 seconden ingedrukt totdat de wifilamp snel knippert. Volg dan de instructies op de app.
De app werkt niet om het apparaat te bedienen.	Zorg ervoor dat u verbonden bent met de wifi. Als de wifi uitgeschakeld is, zorg er dan voor dat u verbonden bent met bluetooth.  Schakel het apparaat gedurende 5 seconden uit en weer in.  Start de app opnieuw.



## GARANTIE

Wilfa biedt voor dit product een garantie van 5 jaar. Deze periode start op de dag van de aankoop. De garantie dekt storingen of defecten die tijdens de garantieperiode in het product optreden. Uw aankoopbon is uw garantiebewijs voor de verkoper als u aanspraak maakt op de garantie.

De garantie is uitsluitend geldig voor producten die voor huishoudelijke toepassing gekocht en gebruikt werden. De garantie is niet geldig als het product voor commerciële doeleinden gebruikt wordt. De garantie is niet geldig als het product onjuist of nalatig gebruikt werd, als de Wilfa-instructies niet opgevolgd zijn, als het apparaat gewijzigd of een onbevoegde reparatie uitgevoerd werd. De garantie is ook niet geldig voor normale slijtage van het product, verkeerd gebruik, gebrekkig onderhoud, gebruik van onjuiste elektrische spanning, of:

- Overbelasting van het product
- Onderdelen die normaal versleten zijn
- Onderdelen die regelmatig vervangen moeten worden (zoals filters, batterijen, enz.)

De gebruiksaanwijzing is ook beschikbaar op onze website: [wilfa.com](http://wilfa.com)

## PRODUCTSPECIFICATIES

AC1W-7000/AC1B-7000C: 220-240V~, 50Hz, 780W, 130g R290  
AC1B-9000C: 220-240V~, 50Hz, 1005W, 170g R290

## ONDERSTEUNING EN RESERVEONDERDELEN

Ga voor ondersteuning naar [wilfa.com](http://wilfa.com) en raadpleeg onze klantenservice-/ondersteuningspagina. Hier vindt u veelgestelde vragen, reserveonderdelen, tips en trucs en al onze contactgegevens.

## RECYCLING



Deze markering geeft aan dat u dit product in de gehele Europese Unie niet met ander huishoudelijk afval mag meegeven. Om mogelijke schade aan het milieu of de gezondheid van mensen als gevolg van ongecontroleerde afvalverwijdering te voorkomen, dient het product op een verantwoorde manier gerecycled te worden om duurzaam hergebruik van materialen te stimuleren. Gebruik de retour- en inzamelingssystemen om uw gebruikte apparaat in te leveren, of neem contact op met de winkel waar u het product hebt gekocht. De winkel kan het product terugnemen om het op veilige en milieuverantwoorde wijze te recyclen.



Het vrijgeven van koelmiddel in de atmosfeer is ten strengste verboden!

## SPIS TREŚCI

158	WAŻNE INSTRUKCJE DOTYCZĄCE BEZPIECZEŃSTWA
160	SYMBOLE ZNAJDUJĄCE SIĘ NA URZĄDZENIU I W INSTRUKCJI OBSŁUGI
161	ŚRODKI OSTROŻNOŚCI PODCZAS PRACY
164	OPIS OGÓLNY PRODUKTU
165	INSTALACJA
165	PODŁĄCZENIE RURY WYDECHOWEJ
167	PANEL STEROWANIA I WYŚWIETLACZ
168	PILOT ZDALNEGO STEROWANIA
168	USTAWIENIA
170	USTAWIENIE TIMERA (1–24 GODZ.)
170	ODPŁYW
171	DEMONTAŻ I CZYSZCZENIE
172	ROZWIĄZYWANIE PROBLEMÓW
173	PRZECHOWYWANIE
173	OPIS FUNKCJONALNOŚCI WI-FI
176	GWARANCJA
177	DANE TECHNICZNE PRODUKTU
177	POMOC TECHNICZNA I CZĘŚCI ZAMIENNE
177	MOŻLIWOŚĆ RECYKLINGU



## WAŻNE INSTRUKCJE DOTYCZĄCE BEZPIECZEŃSTWA

- Przed rozpoczęciem korzystania z urządzenia przeczytaj uważnie tę instrukcję obsługi i zachowaj ją na przyszłość. Ta instrukcja jest także dostępna na naszej stronie internetowej: wilfa.com.
- To urządzenie może być używane przez dzieci od lat 8 i osoby z niepełnosprawnością fizyczną, sensoryczną i umysłową oraz brakiem doświadczenia i wiedzy, pod warunkiem zapewnienia nadzoru lub udzielenia instrukcji dotyczących korzystania z urządzenia w bezpieczny sposób oraz o ile taka osoba zdaje sobie sprawę z ewentualnych zagrożeń. Dzieci nie mogą używać urządzenia do zabawy. Czynności związane z czyszczeniem oraz konserwacją w zakresie użytkownika nie powinny być wykonywane przez dzieci bez nadzoru.
- To urządzenie jest przeznaczone wyłącznie do użytku w pomieszczeniach, na potrzeby gospodarstwa domowego; nie jest ono przeznaczone do zastosowań komercyjnych ani przemysłowych.
- Jeśli przewód zasilający zostanie uszkodzony, musi zostać wymieniony przez producenta, autoryzowany serwis lub osoby o podobnych kwalifikacjach, aby uniknąć zagrożenia.
- To urządzenie jest przeznaczone wyłącznie do stosowania z gazem R-290 (propanem) jako czynnikiem chłodniczym.
- Obieg czynnika chłodniczego jest zaplombowany. Czynności serwisowe może podejmować wyłącznie wykwalifikowany technik!

PL

- Nie wolno wypuszczać czynnika chłodniczego do atmosfery.
- Gaz R-290 (propan) jest łatwopalny i cięższy od powietrza. Początkowo gromadzi się w niżej położonych obszarach, ale może być rozprawiany przez wentylatory.
- W przypadku wycieku lub podejrzenia wycieku propanu ustaleniem przyczyny mogą zajmować się wyłącznie przeszkoleni technicy.
- Używany w urządzeniu propan jest bezwonny.
- Dlatego nie można wykluczyć ulatniania się gazu na podstawie braku wyczuwalnego zapachu.
- W przypadku wykrycia wycieku należy natychmiast ewakuować wszystkie osoby z pomieszczenia, przewietrzyć pomieszczenie i skontaktować się z lokalną strażą pożarną w celu przekazania informacji o wycieku propanu.
- Nie wolno pozwolić nikomu na powrót do pomieszczenia, dopóki wykwalifikowany technik nie stwierdzi, że jest to bezpieczne.
- W pobliżu urządzenia nie wolno palić papierosów, używać otwartego ognia ani innych możliwych źródeł zapłonu; nie dopuszczać do zapłonu w środku urządzenia.
- Podzespoły urządzenia są przystosowane do pracy z propanem i spełniają wymagania dla urządzeń o ograniczonej energii i nieiskrzących. W razie naprawy należy używać wyłącznie oryginalnych części zamiennych.

PL

NIESTOSOWANIE SIĘ DO TEGO ZALECENIA MOŻE SKUTKOWAĆ WYBUCEM, ŚMIERCIĄ, OBRAŻENIAMI CIAŁA I USZKODZENIEM MIENIA.

Jako czynnik chłodniczy stosowany jest przyjazny dla środowiska gaz R290. Gaz R290 nie ma szkodliwego wpływu na warstwę ozonową (ODP), ma znikomy wkład w efekt cieplarniany (GWP) i jest dostępny na całym świecie. Dzięki swoim właściwościom energetycznym gaz R290 doskonale nadaje się jako czynnik chłodniczy w tym zastosowaniu. Należy zachować szczególne środki ostrożności ze względu na wysoką palność czynnika chłodniczego.

SYMBOLE ZNAJDUJĄCE SIĘ NA URZĄDZENIU I W INSTRUKCJI OBSŁUGI



Ostrzeżenie

W urządzeniu jest używany łatwopalny czynnik chłodniczy. Jeśli czynnik chłodniczy wycieknie i wejdzie w kontakt z ogniem lub elementem grzejnym, wytworzy się szkodliwy gaz i wystąpi ryzyko pożaru.



Przed przystąpieniem do eksploatacji urządzenia uważnie przeczytaj PODRĘCZNIK UŻYTKOWNIKA.



Dodatkowe informacje są dostępne w PODRĘCZNIKU UŻYTKOWNIKA, PODRĘCZNIKU SERWISOWYM i podobnej dokumentacji.



Personel serwisowy jest zobowiązany do ważnego zapoznania się z PODRĘCZNIKIEM UŻYTKOWNIKA i PODRĘCZNIKIEM SERWISOWYM przed przystąpieniem do eksploatacji.

## ŚRODKI OSTROŻNOŚCI PODCZAS PRACY

OSTRZEŻENIE: należy stosować się do poniższych zaleceń, aby zmniejszyć ryzyko pożaru, porażenia prądem, obrażeń ciała lub mienia:

- Zasilaj urządzenie wyłącznie ze źródła o napięciu, częstotliwości i wydajności prądowej, jakie podano na tabliczce znamionowej.
- Zawsze używaj uziemionego gniazdka elektrycznego.
- Odłącz przewód zasilający przed czyszczeniem lub gdy urządzenie nie jest używane.
- Nie obsługuj mokrymi rękoma. Chroń urządzenie przed zachlapaniem wodą.
- Nie wystawiaj urządzenia na deszcz lub wilgoć, nie zanurzaj go w żadnej cieczy.
- Nie zostawiaj pracującego urządzenia bez nadzoru. Nie przechylaj ani nie odwracaj urządzenia spodem do góry.
- Nie odłączaj zasilania podczas pracy urządzenia.
- Nie odłączaj z zasilania, ciągnąc za przewód zasilający.
- Nie używaj przedłużacza ani rozgałęziacza.
- Nie kładź żadnych przedmiotów na urządzeniu.
- Nie wspinaj się na urządzenie ani nie siadaj na nim.
- Nie wkładaj palców ani żadnych przedmiotów do wylotu powietrza.

- Nie dotykaj wlotu powietrza ani aluminiowych radiatorów urządzenia.
- Nie używaj urządzenia, które upadło, jest uszkodzone lub wykazuje oznaki wadliwego działania.
- Nie czyść urządzenia żadnymi środkami chemicznymi.
- Upewnij się, że w pobliżu urządzenia nie ma źródeł ognia, materiałów łatwopalnych ani wybuchowych.
- Urządzenie musi zostać zainstalowane zgodnie z lokalnymi przepisami dotyczącymi instalacji elektrycznych.
- Nie stosuj środków przyspieszających odmrażanie lub czyszczenie innych niż zalecane przez producenta.
- Urządzenia nie należy przechowywać w pomieszczeniu, w którym znajdują się urządzenia pracujące ciągle (np. z otwartym ogniem, urządzenie gazowe lub grzejnik elektryczny).
- Urządzenie należy przechowywać w taki sposób, aby zapobiec uszkodzeniom mechanicznym.
- W żadnym wypadku nie utylizować przez spalanie.
- Pamiętaj, że czynniki chłodnicze mogą być bezwonne.
- Instalacje rurowe powinny być zabezpieczone przed uszkodzeniami fizycznymi i nie mogą być prowadzone w pomieszczeniach bez wentylacji, jeśli powierzchnia tych pomieszczeń jest mniejsza niż 8 m<sup>2</sup>.
- Należy przestrzegać lokalnych przepisów dotyczących gazu.

- Dopilnuj, aby otwory wentylacyjne w urządzeniu nie zostały przesłonięte.
- Urządzenie powinno być przechowywane w dobrze wentylowanym pomieszczeniu o powierzchni odpowiadającej warunkom eksploatacji.



## OSTRZEŻENIE

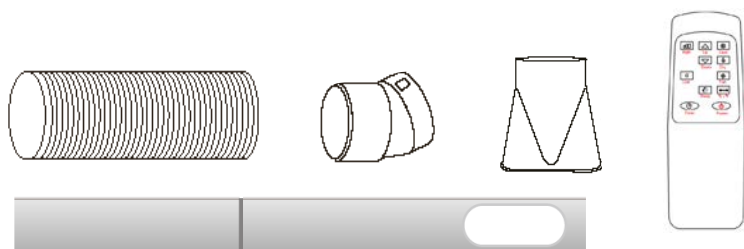
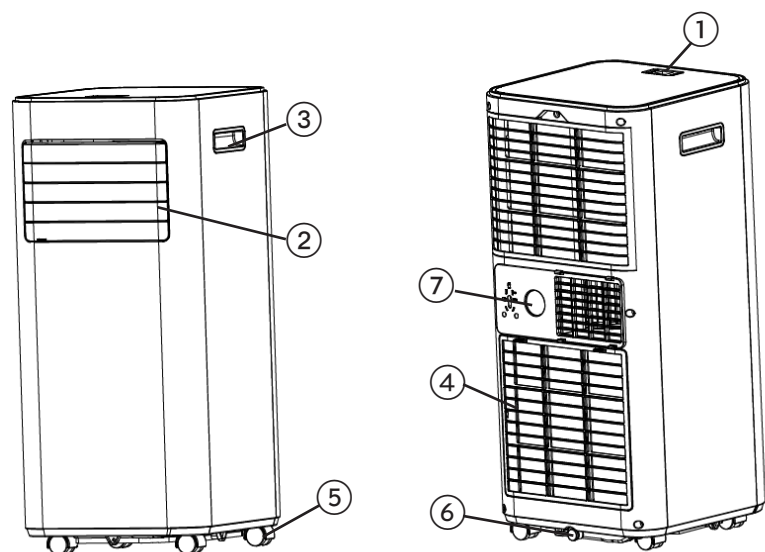
Każda osoba podejmująca czynności serwisowe lub naprawcze dotyczące obiegu czynnika chłodniczego musi posiadać ważne uprawnienia wydane przez urząd branżowy, poświadczające posiadanie odpowiednich kompetencji do bezpiecznego postępowania z czynnikami chłodniczymi zgodnie z obowiązującymi przepisami.



## OSTRZEŻENIE

Serwisowanie należy wykonywać wyłącznie zgodnie z zaleceniami producenta urządzenia. Konserwacja i naprawy wymagające pomocy innych wykwalifikowanych pracowników powinny być wykonywane pod nadzorem osoby z uprawnieniami do obsługi łatwopalnych czynników chłodniczych.

## OPIS OGÓLNY PRODUKTU



1. Panel sterowania
2. Wylot powietrza z regulowanymi żaluzjami
3. Uchwyt
4. Wlot powietrza z filtrem
5. Kółka
6. Odpływ kondensatu
7. Wyrzut powietrza

- Akcesoria:
1. Rura wydechowa
  2. Złącze rury
  3. Adapter zestawu okiennego
  4. Pilot zdalnego sterowania
  5. Wsporniki okna

**Uwaga:** Przedstawione ilustracje mają jedynie charakter poglądowy. Szczegółowe informacje można poznać, oglądając urządzenie.

## INSTALACJA

## WYBÓR MIEJSCA USTAWIENIA

- Jeśli podczas transportu urządzenie zostało przechylone o ponad 45° od pionu, ustaw je w pozycji pionowej i zaczekaj z uruchomieniem przez co najmniej 24 godziny.
- Ustaw urządzenie na stabilnej, równej powierzchni w miejscu, w którym możliwe będzie zachowanie odstępu o szerokości co najmniej 50 cm wokół urządzenia, aby umożliwić odpowiednią cyrkulację powietrza.
- Nie używaj urządzenia w pobliżu ścian, zasłon ani innych przedmiotów, które mogą zasłaniać wlot i wylot powietrza. Dopilnuj, aby nic nie blokowało wlotu i wylotu powietrza.
- Nigdy nie ustawiaj urządzenia w miejscu, w którym może być narażone na:
  - Źródła ciepła, takie jak grzejniki, promienniki, piece lub inne urządzenia wytwarzające ciepło.
  - Bezpośrednie nasłonecznienie
  - Wibracje lub wstrząsy mechaniczne
  - Nadmierne zapylenie
  - Brak wentylacji, np w szafie lub regale na książki
  - Nierówną powierzchnię

## OSTRZEŻENIE!



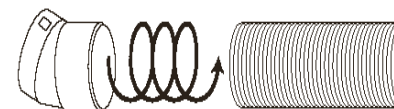
- Urządzenie można eksploatować w pomieszczeniach o powierzchni powyżej 8 m<sup>2</sup>.
- Nie ustawiaj urządzenia w miejscu, w którym może dojść do wycieku łatwopalnych gazów.

## PODŁĄCZENIE RURY WYDECHOWEJ

Klimatyzator wymaga odprowadzenia na zewnątrz pomieszczenia powietrza wylotowego, które zawiera ciepło odpadowe i wilgoć.

Nie wymieniaj ani nie przedłużaj rury wydechowej, ponieważ może to obniżyć wydajność, a nawet powodować wyłączenie urządzenia z powodu niskiego ciśnienia wstecznego.

**Krok 1:** Podłącz złącze rury do jednego z końców rury wydechowej.

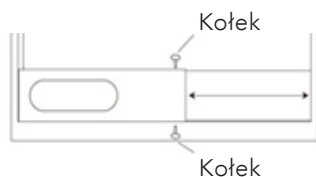


**Krok 2:** Podłącz adapter zestawu okiennego do drugiego końca rury wydechowej.



**Krok 3:** Wyreguluj wsporniki okna na szerokość lub wysokość okna, a następnie włóż plastikowe kołki, aby ustalić żądane położenie.

Uwaga: nie montuj wspornika okna do okna. Ten krok ma na celu jedynie dopasowanie do rozmiaru okna. Po dopasowaniu rozmiaru zdemontuj wspornik.



**Krok 4:** Zamocuj wspornik okna do adaptera zestawu okiennego. Upewnij się, że wszystkie połączenia są trwałe.

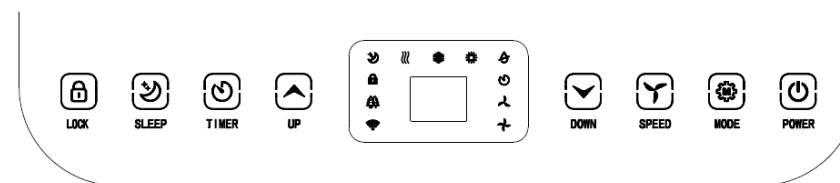


**Krok 5:** Zamocuj wspornik okna do okna.



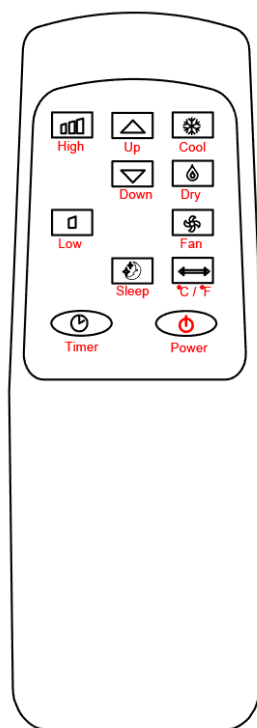
**Krok 6:** Dostosuj długość elastycznej rury wydechowej, uważając, aby jej nie zagiąć. Następnie ustaw klimatyzator w pobliżu gniazdka elektrycznego.

## PANEL STEROWANIA I WYŚWIETLACZ



1	LOCK	Naciśnij i przytrzymaj, aby włączyć lub wyłączyć funkcję blokady przed dziećmi
2	MODE	Przycisk trybu. Naciskaj, aby przełączać tryby pracy: wentylator, chłodzenie i osuszanie.
3	UP	Służy do zwiększania wartości temperatury (16°C – 32°C) lub ustawienia zegara
4	POWER	Naciśnięcie powoduje włączenie lub wyłączenie urządzenia
5	DOWN	Służy do zmniejszania wartości temperatury lub ustawienia zegara.
6	SPEED	Służy do wyboru prędkości wentylatora. Dostępne ustawienia to HIGH (wysoka) i LOW (niska)
7	TIMER	Służy do ustawiania czasu automatycznego uruchomienia lub zatrzymania urządzenia.
8	SLEEP	Naciśnięcie powoduje przełączenie w tryb nocny. Tryb nocny można włączyć tylko w trybie chłodzenia
9	Prędkość wentylatora	Wyświetlacz prędkości wentylatora
10	Wyświetlacz LED	Wyświetlacz temperatury pomieszczenia lub ustawienia czasu
11	Wyświetlacz trybu	Wyświetla ustawienia trybu pracy: wentylator, chłodzenie lub osuszacz

## PILOT ZDALNEGO STEROWANIA



## USTAWIENIA

## WŁĄCZANIE I WYŁĄCZANIE

- Naciśnij przycisk POWER, aby włączyć urządzenie.
- Naciśnij przycisk MODE, aby wybrać żądany tryb pracy.
- Naciśnij ponownie przycisk POWER, aby wyłączyć zasilanie.

## TRYB DZIAŁANIA

Urządzenie może pracować w jednym z następujących trybów: chłodzenie, osuszanie, wentylator, tryb nocny.

## CHŁODZENIE POMIESZCZENIA

- Wybierz tryb chłodzenia, aby obniżyć temperaturę w pomieszczeniu.
- Naciskaj przycisk MODE, aż zostanie wyświetlony napis COOL.
- Naciskaj przycisk UP/DOWN, aby ustawić wartość temperatury wyświetlaną na ekranie. Temperaturę można ustawić w zakresie od 16°C do 32°C.

- Naciskaj przycisk SPEED, aż zaświeci się wskaźnik żądanej prędkości wentylatora.
- Aby ustawić kierunek nadmuchu, ręcznie ustaw żaluzje pod odpowiednim kątem.

**Uwaga:** Jeśli temperatura w pomieszczeniu jest niższa niż ustawiona, klimatyzator wyłączy się.

## WENTYLACJA POMIESZCZENIA

- Naciskaj przycisk MODE, aż zostanie wyświetlony napis FAN.
- W trybie wentylacji wymuszony jest obieg powietrza w pomieszczeniu, ale nie jest ono chłodzone.
- Naciskaj przycisk SPEED, aby ustawić żądaną prędkość wentylatora.

## OSUSZANIE POMIESZCZENIA

- Naciśnij przycisk MODE na panelu sterowania lub na pilocie, aż zostanie wyświetlony napis DRY. W tym trybie nie można wybrać prędkości wentylatora. Podłącz wąż do odpływu u dołu urządzenia.

**Uwaga:** W tym trybie urządzenie ustawia niską prędkość wentylatora i nie można tego zmienić.

## TRYB NOCNY

- Tryb nocny można włączyć tylko w trybie chłodzenia.
- W trybie nocnym wszystkie światła są przygaszone, a brzęczyk jest wyłączony:
  - po 1 godzinie od włączenia trybu nocnego, ustawiona temperatura wzrośnie automatycznie o 1°C, a po kolejnej godzinie zostanie automatycznie zwiększona o 1°C.
- Po upływie kolejnych godzin w trybie nocnym ustawiona temperatura nie będzie już zwiększana.
- Prędkość wentylatora w trybie nocnym: urządzenie automatycznie włącza niską prędkość wentylatora. Wentylator pracuje z niską prędkością i nie można tego zmienić. Po wyjściu z trybu nocnego użytkownik może ponownie ustawić prędkość wentylatora.

## USTAWIENIE TIMERA (1–24 GODZ.)

Z timera można korzystać na dwa sposoby:

Aby wyłączyć (Urządzenie włączone)	→	Naciśnij przycisk Timer, aby włączyć funkcję timera.	→	Naciskaj przyciski UP/DOWN, aby ustawić czas opóźnienia wyłączenia.
Aby włączyć (urządzenie wyłączone)	→	Naciśnij przycisk Timer, aby włączyć funkcję timera.	→	Naciskaj przyciski UP/DOWN, aby ustawić czas opóźnienia włączenia.
Anulowanie timera	→	Naciskaj przyciski UP/DOWN, aż zostanie wyświetlona wartość „00”. <b>Uwaga:</b> naciśnięcie przycisku POWER także spowoduje anulowanie timera		

## ZABEZPIECZENIE PRZED PRZECIĄŻENIEM

W przypadku przerwy w zasilaniu ponowne uruchomienie sprężarki następuje z 3-minutowym opóźnieniem w celu jej ochrony.

## ODPŁYW

### SYSTEM SAMOCZYNNEGO PAROWANIA

System samoczynnego odparowywania wykorzystuje zgromadzoną wodę do chłodzenia rurek skraplaczy w celu zapewnienia lepszej i bardziej wydajnej pracy. W trybie chłodzenia opróżnianie zbiornika kondensatu jest konieczne tylko w warunkach wysokiej wilgotności. W trybie suszenia konieczne jest regularne opróżnianie zbiornika kondensatu. Skroplona woda odparowuje na skraplaczu i jako para jest odprowadzana rurą wydechową.

W przypadku pracy ciągłej lub pracy bez nadzoru w trybie suszenia do urządzenia należy podłączyć znajdujący się w zestawie wąż odpływowy. Drugą końcówkę węża można włożyć do wiadra lub odpływu, aby zapewnić ciągłe odprowadzanie kondensatu.

- Przed przystąpieniem do czynności obsługowych wyłącz urządzenie.
- Wyjmij korek z otworu wylotowego wody i odłóż w bezpieczne miejsce.
- Prawidłowo podłącz wąż odpływowy. Upewnij się, że nie jest poskręcany ani załamany oraz że jest drożny.
- Umieść wylot węża w odpływie lub wiadrze i upewnij się, że woda może swobodnie wypływać z urządzenia.



Wyjmij gumowy korek uszczelniający



Wąż ciągłego odpływu

- Nie zanurzaj końcówki węża w wodzie; może to spowodować zator powietrzny w wężu.

### ABY UNIKNĄĆ ROZLANIA WODY:

- Ponieważ podciśnienie w tacy ociekowej jest duże, skieruj wąż odpływowy w dół, w kierunku podłogi. Zaleca się, aby kąt nachylenia przekraczał 20 stopni.
- Wyprostuj wąż, aby uniknąć zatrzymania wody w wężu.

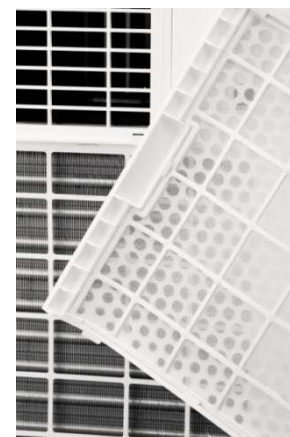
## DEMONTAŻ I CZYSZCZENIE

### CZYSZCZENIE FILTRA POWIETRZA (CO DWA TYGODNIE)

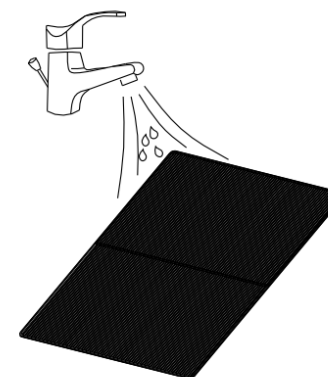
Na filtrze gromadzi się pył, który ogranicza przepływ powietrza. Ograniczony przepływ powietrza obniża wydajność systemu, a zablokowanie przepływu może skutkować uszkodzeniem urządzenia.

Filtr powietrza wymaga regularnego czyszczenia. Możliwość wyjęcia filtra ułatwia czyszczenie. Nie używaj urządzenia bez filtra powietrza; może to spowodować zanieczyszczenie parownika.

1. Naciśnij przycisk POWER, aby wyłączyć urządzenie i odłącz przewód zasilający.
2. Zdejmij siatkę filtra z urządzenia.
3. Przy użyciu odkurzacza usuń pył z filtra.
4. Odwróć filtr i przepłucz go pod bieżącą wodą. Ustaw filtr tak, aby woda przepływała przez niego w kierunku przeciwnym do kierunku przepływu powietrza. Po płukaniu odłóż filtr na bok i pozostaw do całkowitego wyschnięcia. Dopiero po wyschnięciu zamontuj go z powrotem w urządzeniu.



Wyłącz urządzenie i wyjmij dwa filtry powietrza.



Przepłucz filtr powietrza pod bieżącą wodą.

## ROZWIĄZYWANIE PROBLEMÓW

Problem	Możliwe przyczyny	Rozwiązania
Urządzenie nie działa	Sprawdź, czy zasilanie jest prawidłowo podłączone.	Podłącz przewód zasilający do gniazdka ściennego.
	Sprawdź, czy świeci wskaźnik poziomu wody.	Opróżnij tacę ociekową, wyjmując gumowy korek.
	Sprawdź temperaturę w pomieszczeniu.	Zakres temperatury roboczej wynosi 5–35°C.
Urządzenie pracuje z obniżoną wydajnością.	Sprawdź, czy filtr powietrza nie jest zakurzony.	W razie potrzeby wyczyść filtr powietrza.
	Sprawdź, czy kanał powietrza jest drożny.	Usuń przeszkodę.
	Sprawdź, czy nie są otwarte drzwi lub okno.	Drzwi i okna powinny być zamknięte.
	Sprawdź, czy został wybrany żądany tryb pracy i czy temperatura jest prawidłowo ustawiona.	Ustaw żądany tryb i temperaturę zgodnie z podręcznikiem (patrz strona 16).
	Odłączona rura wydechowa.	Upewnij się, że rura wydechowa jest pewnie zamocowana.
Wyciek wody	Przepętnienie podczas przemieszczania urządzenia.	Przed transportem opróżnij zbiornik wody.
	Sprawdź, czy rura wyrzutowa nie jest skręcona lub zagięta.	Wyprostuj wąż, aby nie została w nim woda.
Nadmierny hałas	Sprawdź, czy urządzenie jest bezpiecznie ustawione.	Ustaw urządzenie na poziomym i stabilnym podłożu.
	Sprawdź, czy żadna z części nie obluźowała się i nie wibruje.	Zamocuj i dokręć części.
	Słychać przepływ wody.	Źródłem hałasu jest przepływający czynnik chłodniczy. To normalne zjawisko.

PL

## PRZECHOWYWANIE

Długotrwałe przechowywanie — jeśli urządzenie nie będzie używane przez dłuższy czas (ponad kilka tygodni), najlepiej jest je wyczyścić i całkowicie wysuszyć. Ponadto wykonaj następujące czynności:

1. Odłącz urządzenie od zasilania, odłącz rurę wydechową i zdemontuj zestaw okienny; wszystkie części przechowuj razem z urządzeniem.
2. Spuść wodę z urządzenia.
3. Wyczyść filtr i pozostaw do całkowitego wyschnięcia w zacienionym miejscu.
4. Zamontuj filtr w urządzeniu.
5. Urządzenie musi być przechowywane w pozycji pionowej.
6. Urządzenie powinno być przechowywane w wentylowanym, suchym pomieszczeniu, bez ekspozycji na powodujące korozję gazy i inne niebezpieczne czynniki.

## OPIS FUNKCJONALNOŚCI WI-FI

## INFORMACJE O APLIKACJI „WILIFE”

Aplikacja "WiLife" jest dostępna dla urządzeń z systemami Android i iOS. Zeskanuj odpowiedni kod QR, aby przejść bezpośrednio do pobierania.



## INFORMACJE NA TEMAT KORZYSTANIA Z APLIKACJI

To urządzenie można obsługiwać przez domową sieć bezprzewodową. Wymagane jest stałe połączenie Wi-Fi z routerem i zainstalowanie darmowej aplikacji „WiLife”.

Aby zapobiec niezamierzonemu włączeniu urządzenia podczas nieobecności w domu, na czas nieobecności zalecamy odłączenie urządzenia od zasilania.

## WYMAGANIA SYSTEMOWE DOTYCZĄCE KORZYSTANIA Z APLIKACJI

- iOS 11.0 lub nowszy
- Android 5.0 lub nowszy
- Bluetooth 4.2

PL



### KONFIGUROWANIE PRZY UŻYCIU APLIKACJI PRZEZ SIEĆ WI-FI

1. Zainstaluj aplikację „WiLife” na smartfonie. Utwórz konto użytkownika.
2. Włącz funkcję Wi-Fi w ustawieniach smartfona.
3. Ustaw urządzenie w odległości około 5 metrów od routera.
4. Naciśnij przycisk TIMER i przytrzymaj przez około 3 sekundy. Lampka Wi-Fi zacznie szybko migać.
5. Uruchoom aplikację i wybierz „+”.
6. Wybierz menu „Air Conditioner” i postępuj zgodnie z instrukcjami na wyświetlaczu.
7. Po pomyślnym połączeniu urządzenia zaświeci się lampka Wi-Fi. Teraz możesz obsługiwać urządzenie za pomocą aplikacji.
8. Naciśnij i przytrzymaj przycisk TIMER przez około 3 sekundy, urządzenie zostanie odłączone, a kontrolka Wi-Fi zgaśnie.

### KONFIGUROWANIE PRZY UŻYCIU APLIKACJI PRZEZ BLUETOOTH

1. Zainstaluj aplikację „WiLife” na smartfonie. Utwórz konto użytkownika.
2. Włącz Bluetooth w smartfonie.
3. Włącz urządzenie.
4. W promieniu 10 metrów od urządzenia uruchom aplikację; urządzenie powinno zostać wyświetlone u dołu ekranu
5. Postępuj zgodnie z instrukcjami wyświetlanymi w aplikacji

### ROZWIĄZYWANIE PROBLEMÓW Z POŁĄCZENIEM

Problem	Rozwiązania
Urządzenie nie jest widoczne w aplikacji podczas próby nawiązania połączenia przez sieć Wi-Fi	Upewnij się, że w smartfonie włączono Bluetooth. Wyłącz Internet na 3 minuty. Zbliż się z telefonem do urządzenia na odległość mniejszą niż 10 metrów i ponów próbę połączenia przez Bluetooth.
Urządzenie nie jest widoczne w aplikacji podczas próby nawiązania połączenia przez Bluetooth	Naciśnij + w prawym górnym rogu, naciśnij „large home appliances” (duże urządzenia domowe), a następnie dodaj klimatyzator. Naciśnij i przytrzymaj przycisk TIMER przez 3 sekundy, aż lampka Wi-Fi zacznie szybko migać. Następnie postępuj zgodnie z instrukcjami wyświetlanymi w aplikacji
Nie można sterować urządzeniem z aplikacji	Upewnij się, że masz połączenie z siecią Wi-Fi. Jeśli Wi-Fi jest wyłączone, upewnij się, że masz połączenie Bluetooth  Wyłącz urządzenie na 5 sekund i włącz je ponownie.  Uruchoom ponownie aplikację.



## GWARANCJA

Firma Wilfa obejmuje ten produkt 5-letnią gwarancją od daty zakupu. Gwarancja obejmuje wady produkcyjne lub usterki wynikłe w okresie gwarancji. W przypadku roszczeń z tytułu gwarancji dowodem dla sprzedawcy jest paragon lub inny dokument potwierdzający zakup.

Gwarancja obejmuje wyłącznie produkty zakupione i używane na potrzeby indywidualnych gospodarstw domowych. Komercyjna eksploatacja produktu powoduje unieważnienie gwarancji. Gwarancja zostanie unieważniona w przypadku niewłaściwego używania produktu, niedbałości, postępowania niezgodnego z instrukcjami podanymi przez firmę Wilfa, a także w przypadku modyfikacji produktu lub jego nieautoryzowanej naprawy. Gwarancja nie obejmuje ponadto normalnego zużycia, użycia niezgodnego z przeznaczeniem, braku konserwacji, podłączenia do nieprawidłowego napięcia elektrycznego oraz:

- Przeciążenia produktu
- Części, które zużywają się w wyniku normalnej eksploatacji
- Części, które należy regularnie wymieniać (np. filtr, akumulator itp.)

Instrukcja obsługi jest także dostępna na naszej stronie internetowej [wilfa.com](http://wilfa.com)

PL

## DANE TECHNICZNE PRODUKTU

AC1W-7000/AC1B-7000C: 220-240V~, 50Hz, 780W, 130g R290  
AC1B-9000C: 220-240V~, 50Hz, 1005W, 170g R290

## POMOC TECHNICZNA I CZĘŚCI ZAMIENNE

Aby uzyskać pomoc techniczną, odwiedź stronę obsługi klienta/pomocy technicznej w naszej witrynie [wilfa.com](http://wilfa.com). Znajdziesz tu często zadawane pytania, listy części zamiennych, porady i wskazówki oraz wszystkie dane kontaktowe.

## MOŻLIWOŚĆ RECYKLINGU



Ten znak wskazuje, że w Unii Europejskiej to urządzenie nie może być wyrzucane wraz z odpadami z gospodarstw domowych. Aby zapobiec możliwemu skażeniu środowiska lub zagrożeniom dla zdrowia ludzi z uwagi na niekontrolowaną utylizację odpadów, należy odpowiedzialnie przekazać je do recyklingu w celu promocji zrównoważonej gospodarki zasobami materiałowymi w zakresie ponownego użycia. Aby pozbyć się urządzenia po okresie eksploatacji, należy skorzystać z właściwego punktu zbiórki lub skontaktować się ze sprzedawcą, od którego kupiono produkt. W ten sposób produkt zostanie bezpłatnie przekazany do recyklingu bezpiecznego dla środowiska.



Wypuszczanie czynnika chłodniczego do atmosfery jest surowo zabronione!

PL

## SOMMAIRE

180	CONSIGNES DE SÉCURITÉ IMPORTANTES
182	SYMBOLES DE L'APPAREIL ET MANUEL D'UTILISATION
183	PRÉCAUTIONS D'UTILISATION
186	APERÇU DU PRODUIT
187	INSTALLATION
187	FIXATION DU TUYAU D'ÉVACUATION
189	PANNEAU DE COMMANDE ET ÉCRAN
190	TÉLÉCOMMANDE
190	RÉGLAGES
192	RÉGLAGE DE LA PROGRAMMATION (1 H-24 H)
192	VIDANGE
193	DÉMONTAGE ET NETTOYAGE
194	DÉPANNAGE
195	STOCKAGE
195	DESCRIPTION WIFI
198	GARANTIE
199	CARACTÉRISTIQUES DU PRODUIT
199	ASSISTANCE ET PIÈCES DÉTACHÉES
199	RECYCLAGE

## CONSIGNES DE SÉCURITÉ IMPORTANTES

- Lire intégralement cette notice et la conserver pour consultation ultérieure. Elle est également disponible sur notre site Web : wilfa.com
- Cet appareil peut être utilisé par des enfants à partir de huit ans et des personnes en situation de handicap physique, mental ou sensoriel ou encore manquant de connaissances et d'expérience, si elles sont surveillées ou ont reçu des instructions sur l'utilisation sûre de l'appareil, et si elles ont conscience des risques inhérents. Interdire aux enfants de jouer avec l'appareil. Les enfants ne doivent pas procéder au nettoyage ni à la maintenance de l'appareil sans surveillance.
- Cet appareil est conçu pour un usage domestique intérieur uniquement ; et non pour une utilisation commerciale ou industrielle.
- Si le cordon d'alimentation est endommagé, le faire remplacer par le fabricant, un technicien de service ou toute autre personne dotée de compétences similaires afin d'éviter tout danger.
- Cet appareil est conçu pour être utilisé uniquement avec du gaz R-290 (propane) comme réfrigérant désigné.
- La boucle du réfrigérant est étanche. Seul un technicien qualifié peut effectuer la maintenance !

- Ne jamais déverser le réfrigérant dans l'atmosphère.
- Le R-290 (propane) est inflammable et plus dense que l'air. Il s'accumule d'abord dans les zones les plus basses, mais peut circuler via des ventilateurs.
- En cas de présence, même suspecte, de gaz propane, ne pas laisser le personnel non formé tenter de trouver la cause.
- Le gaz propane utilisé dans l'appareil est inodore.
- L'absence d'odeur ne prouve pas l'absence d'une évacuation de gaz.
- En cas de fuite détectée, évacuer immédiatement toutes les personnes du magasin, ventiler la pièce et contacter les pompiers pour les informer de la fuite de propane.
- Ne laisser personne entrer dans la pièce tant que le technicien de maintenance qualifié n'est pas sur les lieux et tant qu'il n'a pas autorisé le retour dans la pièce en toute sécurité.
- Aucune flamme, cigarette ou autre source d'incendie possible n'est acceptable à l'intérieur ou à proximité des locaux.
- Ces composants sont conçus pour le propane, non inflammable et anti-étincelles. Ils peuvent uniquement être remplacés par des pièces de rechange identiques.

LE NON-RESPECT DE CET AVERTISSEMENT ENTRAÎNE UN DANGER D'EXPLOSION, DE MORT, DE BLESSURES ET DES DOMMAGES MATÉRIELS.

Le R290 écologique sert de réfrigérant. Il n'a aucune influence néfaste sur la couche d'ozone (ODP), seulement un effet de serre négligeable (GWP) et est commercialisé dans le monde entier. Grâce à ses propriétés énergétiques efficaces, le R290 est parfaitement adapté à cette application. Des précautions particulières doivent être prises en compte en raison de l'inflammabilité élevée du liquide de refroidissement.

#### SYMBOLES DE L'APPAREIL ET MANUEL D'UTILISATION



Avertissement

Cet appareil utilise un réfrigérant inflammable. Si du réfrigérant fuit et entre en contact avec une flamme ou une pièce chauffante, il créera un gaz nocif, avec risque d'incendie.



Lire attentivement le MANUEL D'UTILISATION avant toute utilisation.



De plus amples renseignements peuvent être trouvés dans le MANUEL D'UTILISATION, le MANUEL DE MAINTENANCE, etc.



Le personnel d'entretien est tenu de lire attentivement le MANUEL D'UTILISATION et le MANUEL DE MAINTENANCE avant toute utilisation.

#### PRÉCAUTIONS D'UTILISATION

AVERTISSEMENT : pour réduire le risque d'incendie, de décharge électrique ou de blessure corporelle ou de dommage matériel :

- Toujours utiliser l'appareil à partir d'une source d'alimentation de tension, fréquence et puissance nominales égales à celles indiquées sur la plaque d'identification du produit.
- Toujours utiliser une prise électrique reliée à la terre.
- Débrancher le cordon d'alimentation lors du nettoyage ou lorsqu'il n'est pas utilisé.
- Ne pas utiliser avec des mains mouillées. Éviter tout déversement d'eau sur l'appareil.
- Ne pas plonger ou exposer l'appareil à la pluie, à l'humidité ou à tout autre liquide.
- Ne pas laisser l'appareil en marche sans surveillance. Ne pas incliner, ni retourner l'appareil.
- Ne pas débrancher pendant le fonctionnement de l'appareil.
- Ne pas débrancher en tirant sur le cordon d'alimentation.
- Ne pas utiliser de rallonge ni d'adaptateur.
- Ne placer aucun objet sur l'appareil.
- Ne pas grimper, ni s'asseoir sur l'appareil.

- Ne pas insérer de doigts ou d'autres objets dans la sortie d'air.
- Ne pas toucher à l'entrée d'air ou les ailettes en aluminium de l'appareil.
- Ne pas utiliser l'appareil s'il est tombé, endommagé ou présente des signes de dysfonctionnement.
- Ne pas nettoyer l'appareil avec des produits chimiques.
- S'assurer que l'appareil est éloigné d'objets inflammables, explosifs ou présentant un risque d'incendie.
- L'appareil doit être installé conformément aux réglementations nationales en matière de câblage.
- Ne pas utiliser d'autres moyens que ceux recommandés par le fabricant pour accélérer le dégivrage ou pour le nettoyer.
- L'appareil doit être stocké dans une pièce sans sources de fonctionnement continu (par exemple : flammes nues, appareil au gaz en marche ou chauffage électrique en fonctionnement).
- L'appareil doit être stocké de manière à éviter tout dommage mécanique.
- Ne pas percer ni brûler, même après utilisation.
- Noter que les réfrigérants peuvent ne pas avoir d'odeur.

- La tuyauterie doit être protégée des dommages physiques et ne doit pas être installée dans un espace non ventilé, si cet espace est inférieur à 8 m<sup>2</sup>.
- La conformité aux réglementations nationales en matière de gaz doit être respectée.
- Veiller à ce que les ouvertures de ventilation requises ne soient pas obstruées.
- L'appareil doit être stocké dans un local bien ventilé dont la surface correspond à la zone de fonctionnement indiquée.



AVERTISSEMENT

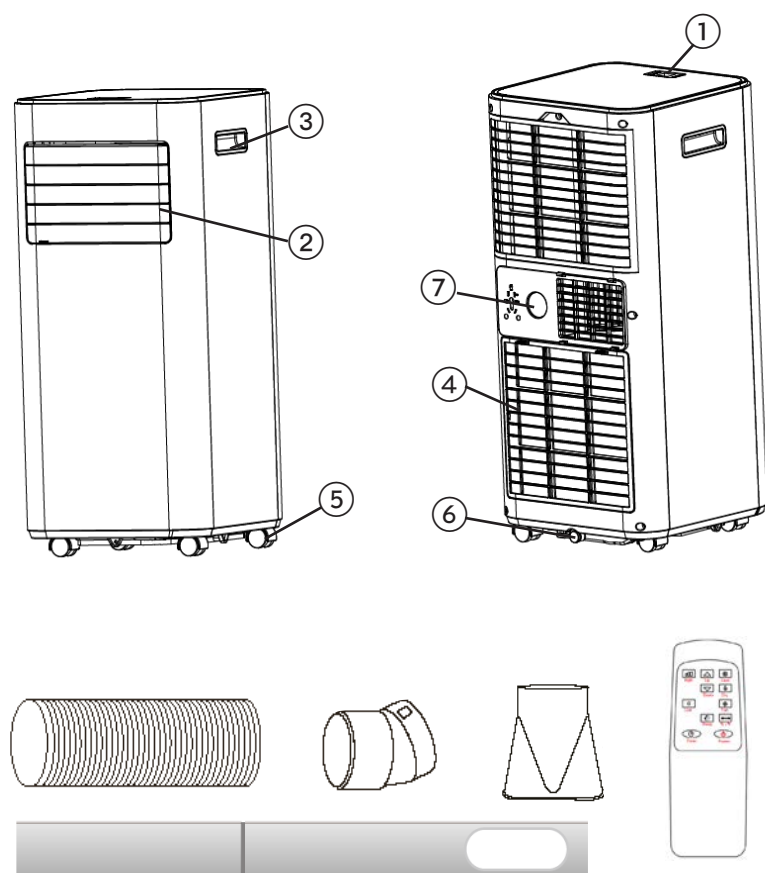
Toute personne impliquée dans le travail ou l'entrée dans un circuit de réfrigérant doit être titulaire d'un certificat en cours de validité, délivré par une autorité d'évaluation accréditée par l'industrie, qui autorise sa compétence à manipuler les réfrigérants en toute sécurité conformément à une spécification d'évaluation reconnue par l'industrie.



AVERTISSEMENT

L'entretien doit uniquement être effectué conformément aux recommandations du fabricant de l'équipement. La maintenance et les réparations nécessitant l'assistance d'autres personnes qualifiées doivent être effectuées sous la surveillance de la personne compétente en matière d'utilisation de réfrigérants inflammables.

## APERÇU DU PRODUIT



- |    |                                  |               |                                 |
|----|----------------------------------|---------------|---------------------------------|
| 1. | Panneau de commande              | Accessoires : |                                 |
| 2. | Sortie d'air avec volet réglable | 1.            | Tuyau d'évacuation              |
| 3. | Poignée                          | 2.            | Raccord de tuyau                |
| 4. | Entrée d'air avec filtre à air   | 3.            | Adaptateur pour kit de fenêtres |
| 5. | Roue                             | 4.            | Télécommande                    |
| 6. | Orifice d'écoulement             | 5.            | Supports de fenêtre             |
| 7. | Évacuation d'air                 |               |                                 |

**Remarque :** L'illustration n'est donnée qu'à titre de référence. Consulter le produit réel pour de plus amples renseignements.

## INSTALLATION

## CHOISIR SA POSITION

- S'il est incliné à plus de 45°, laisser l'appareil en position verticale pendant au moins 24 heures avant de le démarrer.
- Placer l'appareil sur une surface plane et solide dans une zone d'au moins 50 cm d'espace libre autour pour permettre une circulation de l'air adéquate.
- Ne pas utiliser à proximité de murs, rideaux ou autres objets susceptibles d'obstruer l'entrée et la sortie d'air. Veiller à ce que l'entrée et la sortie d'air soient exemptes d'obstacles.
- Ne jamais installer l'unité à un endroit où elle pourrait être soumise :
  - Sources de chaleur telles que radiateurs, bouches d'air chaud, poêles ou autres produits qui produisent de la chaleur.
  - Exposition directe au soleil
  - Vibrations ou chocs mécaniques
  - Poussière excessive
  - Manque de ventilation, comme une armoire ou une bibliothèque
  - Surface irrégulière

## AVERTISSEMENT !



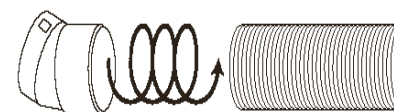
- Installer l'appareil dans une pièce de plus de 8 m<sup>2</sup>.
- Ne pas installer l'appareil dans un endroit exposé aux fuites de gaz inflammables.

## FIXATION DU TUYAU D'ÉVACUATION

Le climatiseur doit être ventilé à l'extérieur afin que l'air rejeté puisse s'évacuer de la pièce qui provient de l'appareil et contient de la chaleur et de l'humidité résiduelle.

Ne pas remplacer ou rallonger le tuyau d'évacuation, ce qui réduirait l'efficacité, voire pire, arrêtera l'appareil en raison d'une faible contre-pression.

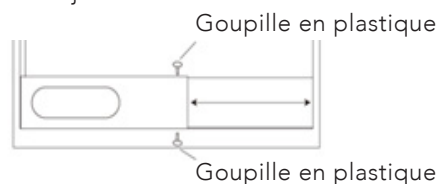
**Étape 1 :** Brancher le raccord du tuyau sur une extrémité du tuyau d'évacuation.



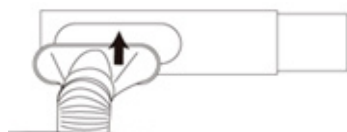
**Étape 2 :** Raccorder l'adaptateur du kit de fenêtres à l'autre extrémité du tuyau d'évacuation.



**Étape 3 :** Ajuster les supports de fenêtre à la largeur ou à la hauteur de votre fenêtre, et insérer les goupilles en plastique pour fixer en position souhaitée.  
Remarque : Ne pas installer le support de fenêtre sur la fenêtre. Cette étape ne sert qu'à ajuster la taille de votre fenêtre. Le support doit être retiré une fois la taille ajustée.



**Étape 4 :** Brancher le support de vitre sur l'adaptateur de kit de fenêtre. S'assurer que tous les raccords sont bien serrés et installés correctement.

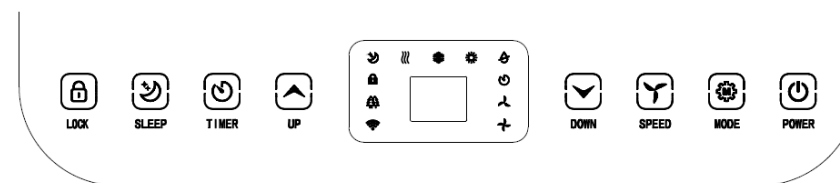


**Étape 5 :** Raccorder le support à la fenêtre.



**Étape 6 :** Réglage de la longueur du tuyau d'évacuation flexible et évitement des coudes dans le tuyau. Placer par la suite le courant alternatif à proximité d'une prise électrique.

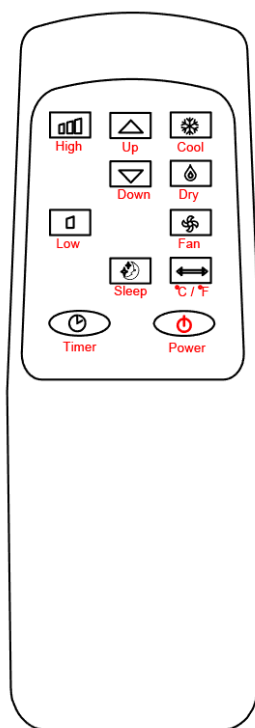
## PANNEAU DE COMMANDE ET ÉCRAN



1	LOCK (VERROU DE SÉCURITÉ)	Appuyer et maintenez sur cette touche pour activer ou désactiver la fonction de sécurité enfant
2	MODE	Bouton Mode Appuyer sur ce bouton pour commuter le mode de fonctionnement entre le ventilateur, le refroidissement et le déshumidificateur.
3	UP (AUGM.)	Augmentation de la température souhaitée (16 °C - 32 °C) ou réglage de la minuterie
4	POWER (ALIM)	Appuyer sur pour allumer ou éteindre l'appareil
5	DOWN (DIMIN.)	Diminution du réglage souhaité de la température ou de la minuterie.
6	SPEED (VITESSE)	Appuyer sur ce bouton pour commuter la vitesse du ventilateur entre HAUT et BAS
7	TIMER (PROGRAMMATION)	Définit l'heure à laquelle l'appareil démarre ou s'arrête automatiquement.
8	SLEEP (VEILLE)	Appuyer sur ce bouton pour passer en mode veille. Peut uniquement être activé en mode refroidissement
9	Vitesse du ventilateur	Affichage de la vitesse du ventilateur en position haute ou basse
10	Écran LED	Cet écran LED affiche le réglage de la température ambiante ou de l'heure
11	Affichage du mode	Cet écran affiche le réglage du mode entre le ventilateur, le refroidissement et le déshumidificateur.



## TÉLÉCOMMANDE



## RÉGLAGES

### DÉMARRAGE ET ARRÊT

- Appuyer sur POWER pour allumer l'appareil.
- Appuyer sur le bouton MODE pour sélectionner le mode de fonctionnement souhaité.
- Appuyer à nouveau sur POWER pour couper l'alimentation.

### MODE DE FONCTIONNEMENT

L'appareil dispose de cinq modes de fonctionnement : Refroidissement, séchage, ventilation, veille.

### RAFRAÎCHIR UNE PIÈCE

- Sélectionner le mode de refroidissement pour baisser la température d'une pièce.

- Appuyer plusieurs fois sur le bouton MODE jusqu'à ce que le témoin COOL (REFROIDISSEMENT) s'allume.
- Appuyer sur la touche Up/Down pour régler la température affichée à l'écran. La température peut être réglée entre 16 °C et 32 °C.
- Appuyer plusieurs fois sur le bouton SPEED jusqu'à ce que l'indicateur de vitesse du ventilateur souhaité s'allume.
- Pour contrôler le sens du flux d'air horizontalement, veuillez régler le volet intérieur à la main.

**Remarque :** Le climatiseur s'arrête si la température ambiante est inférieure à la température sélectionnée.

### VENTILER VOTRE PIÈCE

- Appuyer plusieurs fois sur le bouton MODE jusqu'à ce que le témoin FAN (VENTILATEUR) s'allume.
- En mode ventilation, l'air ambiant circule, sans être refroidi.
- Appuyer plusieurs fois sur le bouton SPEED pour sélectionner la vitesse du ventilateur souhaitée.

### SÉCHAGE DE VOTRE PIÈCE

- Appuyer sur le bouton MODE du panneau de commande ou de la télécommande. L'indicateur de séchage s'allumera. La vitesse du ventilateur ne peut pas être sélectionnée. L'utilisateur doit raccorder le tuyau à la sortie de vidange en bas de l'appareil.

**Remarque :** Dans ce mode, la vitesse du ventilateur passe en basse vitesse et ne peut pas être sélectionnée.

### MODE VEILLE

- Le bouton de veille ne peut être actionné qu'en mode refroidissement.
- L'appareil passe en mode veille, toutes les lumières s'atténuent simultanément et l'avertisseur sonore est désactivé :
  - 1 heure après l'activation du mode veille, la température réglée augmente automatiquement d'1 °C, et après une heure supplémentaire, la température réglée augmente automatiquement d'1 °C.
- Une fois le mode veille activé pendant 2 heures, la température réglée n'augmente plus.
- Sortie du ventilateur en mode veille : le ventilateur passe automatiquement en réglage bas. La sortie de vitesse de ventilation est faible et ne peut être ajustée. Une fois le mode veille terminé, la vitesse du ventilateur peut à nouveau être réglée par l'utilisateur.

## RÉGLAGE DE LA PROGRAMMATION (1 H-24 H)

La minuterie dispose de deux modes de fonctionnement :

Pour éteindre (lors de la mise sous tension)	→	Appuyer sur la touche TIMER pour activer la fonction de programmation.	→	Appuyer plusieurs fois sur la flèche vers le haut/bas pour retarder l'arrêt (OFF).
Pour allumer (lorsque l'appareil est hors tension)	→	Appuyer sur la touche TIMER pour activer la fonction de programmation.	→	Appuyer plusieurs fois sur la flèche vers le haut/bas pour retarder l'arrêt (ON).
Annuler la programmation	→	Appuyer plusieurs fois sur la flèche vers le haut/bas jusqu'à ce que l'écran affiche « 00 ». <b>Remarque :</b> Appuyer sur POWER annulera également la programmation.		

### PROTECTION CONTRE LES SURCHARGES

En cas de panne de courant, pour protéger le compresseur, un délai de 3 minutes s'écoule jusqu'au redémarrage du compresseur.

## VIDANGE

### SYSTÈME À ÉVAPORATION AUTOMATIQUE

Le système à évaporation automatique utilise l'eau collectée pour refroidir les serpentins du condenseur afin d'obtenir de meilleures performances. Il n'est pas nécessaire de vider le réservoir de vidange en mode refroidissement, sauf dans des conditions d'humidité élevée. En mode séchage, le réservoir de vidange doit être vidé. L'eau condensée s'évapore au niveau du condenseur et disparaît par le tuyau d'évacuation.

Pour un fonctionnement continu ou sans surveillance en mode séchage, raccorder le tuyau de vidange relié à l'appareil. L'eau condensée peut s'écouler automatiquement dans un seau ou un drain.

- Éteindre l'appareil avant de l'utiliser.
- Retirer le bouchon de sortie d'eau et le conserver en lieu sûr.
- Brancher correctement et solidement le tuyau de vidange. S'assurer qu'il n'est pas plié ni obstrué.
- Placer la sortie du tuyau sur un drain ou un seau et s'assurer que l'eau peut s'écouler librement de l'appareil.



Retirer le bouchon d'étanchéité en caoutchouc

Tuyau de vidange continu

- Ne pas plonger l'extrémité du tuyau dans l'eau, au risque de provoquer une « poche d'air » dans le tuyau.

### POUR ÉVITER TOUT DÉVERSEMENT D'EAU :

- la pression négative du bac de récupération des condensats étant élevée, incliner le tuyau de vidange vers le sol. Le degré d'inclinaison doit dépasser 20 degrés.
- Redresser le tuyau pour éviter qu'il ne bloque de l'eau.

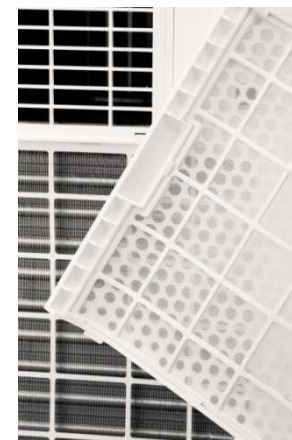
## DÉMONTAGE ET NETTOYAGE

### NETTOYAGE DU FILTRE À AIR (TOUTES LES DEUX SEMAINES)

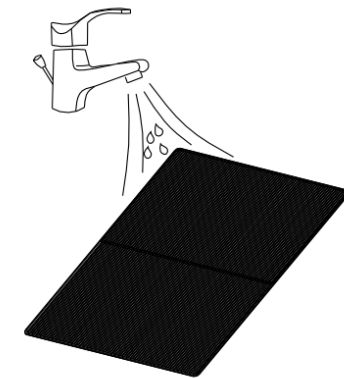
La poussière s'accumule sur le filtre et restreint le débit d'air. Le débit d'air restreint réduit l'efficacité du système et, en cas de blocage, peut endommager l'appareil.

Le filtre à air doit être nettoyé régulièrement. Le filtre à air est amovible pour un nettoyage facile. Ne pas faire fonctionner l'appareil sans filtre à air, au risque de contaminer l'évaporateur.

1. Appuyer sur le bouton POWER pour éteindre l'appareil et débrancher le cordon d'alimentation.
2. Retirer le tamis du filtre de l'appareil.
3. Aspirer la poussière du filtre au moyen d'un aspirateur.
4. Retourner le filtre et rincer le filtre à air à l'eau courante. Laisser l'eau couler à travers le filtre dans le sens inverse du flux d'air. Mettre de côté et laisser sécher le filtre complètement à l'air libre avant de le réinstaller.



Éteindre l'appareil et retirer les deux filtres à air.



Rincer le filtre à air à l'eau courante.

## DÉPANNAGE

Problème	Raisons possibles	Solutions
L'appareil ne fonctionne pas	Vérifier que l'appareil est bien branché.	Insérer fermement le cordon d'alimentation dans la prise murale.
	Vérifier si l'indicateur de niveau d'eau s'allume ?	Vider le bac de récupération en retirant le bouchon en caoutchouc.
	Vérifier la température ambiante.	La plage de température de fonctionnement est comprise entre 5 et 35 °C.
L'appareil fonctionne avec une capacité réduite.	Vérifier que le filtre à air est exempt de poussière.	Nettoyer le filtre à air si nécessaire.
	Vérifier si la conduite d'air est obstruée.	Éliminer l'obstacle.
	Vérifier si la porte ou la fenêtre est ouverte.	Maintenir la porte et les fenêtres fermées.
	Vérifier si le mode de fonctionnement souhaité est sélectionné et si la température est correctement réglée.	Régler le mode et la température au point souhaité conformément au manuel (voir page 16).
	Le tuyau d'évacuation est détaché.	S'assurer que le tuyau d'évacuation est correctement fixé.
Fuite d'eau	Débordement lors du déplacement de l'unité.	Vider le réservoir d'eau avant le transport.
	Vérifier l'absence de torsion ou de bris sur le tuyau de vidange.	Redresser le tuyau pour éviter de bloquer de l'eau.
Bruit excessif	Vérifier que l'appareil est correctement positionné.	Placer l'appareil sur un plancher horizontal et ferme.
	Vérifier l'absence de toute pièce desserrée ou vibrante.	Fixer et serrer les pièces.
	Un bruit tel que l'écoulement d'eau.	Le bruit provient de l'écoulement du réfrigérant. Cela est normal.

## STOCKAGE

Stockage à long terme : si l'appareil reste hors d'utilisation à durée prolongée (plus de quelques semaines), il est préférable de le nettoyer et de le sécher complètement. Le ranger en procédant comme suit :

1. Débrancher l'appareil et retirer le tuyau d'évacuation et le store du kit de fenêtre avec l'appareil.
2. Vidanger l'eau résiduelle de l'appareil.
3. Nettoyer le filtre et le laisser sécher complètement en zone ombragée.
4. Réinstaller le filtre à sa position initiale.
5. L'appareil doit être rangé, maintenu en position verticale.
6. Conservation de la machine en lieu sûr, à l'intérieur, à l'abri de l'air et des gaz non corrosifs.

## DESCRIPTION WIFI

### INFORMATIONS SUR L'APPLICATION «WILIFE»

L'application « WiLife » est disponible pour Android et iOS. Scanner le code QR correspondant pour accéder directement au téléchargement.



### INFORMATIONS POUR UTILISER L'APPLICATION

Cet appareil peut s'utiliser via un réseau domestique. L'un des prérequis est une connexion Wi-Fi permanente à votre routeur et à l'application gratuite « WiLife ».

Nous vous recommandons de débrancher l'appareil du secteur lorsque vous n'êtes pas chez vous afin d'éviter toute mise en marche involontaire lorsque vous êtes en déplacement.

### CONDITIONS REQUISES POUR UTILISER L'APPLICATION

- iOS 11.0 ou version ultérieure
- Android 5.0 ou version ultérieure
- Bluetooth 4.2

## MISE EN SERVICE VIA L'APPLICATION WI-FI

1. Installer l'application « WiLife ». Créer un compte utilisateur.
2. Activer la fonction Wi-Fi dans les paramètres de votre appareil.
3. Placer l'appareil à environ 5 mètres de votre routeur.
4. Maintenir enfoncé le bouton « Timer » pendant environ 3 secondes. La lampe Wi-Fi clignote rapidement.
5. Lancer l'application et sélectionner « + ».
6. Sélectionner le menu « Air Conditioner » (Climatisation) et suivre les instructions affichées à l'écran.
7. Une fois la connexion établie, le témoin Wi-Fi s'allume. L'appareil peut maintenant être utilisé à l'aide de l'application.
8. Appuyer sur le bouton Timer et le maintenir enfoncé pendant environ 3 secondes, l'appareil se déconnecte et le témoin Wi-Fi s'éteint.

## MISE EN SERVICE VIA L'APPLICATION POUR BLUETOOTH

1. Installer l'application « WiLife ». Créer un compte utilisateur.
2. Activer le Bluetooth sur votre Smartphone.
3. Allumer l'appareil.
4. Dans un rayon de 10 mètres de l'appareil, ouvrir l'application et l'appareil devrait s'afficher automatiquement en bas de l'écran
5. Suivre les instructions supplémentaires sur l'application

## DÉPANNAGE - SOLUTIONS POSSIBLES

Problème	Solutions
L'appareil ne s'affiche pas dans l'application lorsque l'on essaie de se connecter au Wi-Fi	S'assurer que le Bluetooth est allumé sur son smartphone. Éteindre Internet pendant 3 minutes. Garder son téléphone à moins de 10 mètres de l'appareil et essayer de se reconnecter par Bluetooth.
L'appareil ne s'affiche pas dans l'application lorsque l'on essaie de se connecter avec Bluetooth	Appuyer sur le signe + en haut, à droite et appuyer sur « large home appliances » (« Appareils électroménagers de grande taille »), puis ajouter un climatiseur. Appuyer sur la touche de programmation et la maintenir enfoncée pendant 3 secondes jusqu'à ce que la lampe Wi-Fi clignote rapidement. Suivre ensuite les instructions de l'application
L'application ne fonctionne pas pour contrôler l'appareil	S'assurer d'être connecté au Wi-Fi. Si le Wi-Fi est hors service, s'assurer d'être connecté au Bluetooth  Éteindre l'appareil pendant 5 secondes et le rallumer.  Redémarrer l'application.



## GARANTIE

Wilfa offre une garantie de 5 ans sur ce produit à compter de la date d'achat. La garantie couvre les anomalies ou défauts de production survenant durant la période de garantie. Le reçu d'achat constitue votre preuve d'achat pour le revendeur en cas de recours à la garantie.

La garantie n'est valide que sur les produits achetés et utilisés pour un usage domestique. Elle n'est pas valide en cas d'utilisation commerciale du produit. La garantie ne s'applique pas en cas de mauvaise utilisation du produit, de négligence, de non-respect des consignes de Wilfa, de modification ou de réparation non autorisée. La garantie ne s'applique pas non plus en cas d'usure naturelle du produit, de mauvaise utilisation, de défaut d'entretien ou d'utilisation d'une tension électrique non adaptée ou :

- En cas de surcharge du produit
- Aux pièces concernées par une usure naturelle
- Aux pièces devant être remplacées régulièrement (par exemple, filtre, batterie, etc.)

Cette notice d'utilisation est également disponible sur notre site Web : [wilfa.com](http://wilfa.com)

## CARACTÉRISTIQUES DU PRODUIT

AC1W-7000/AC1B-7000C: 220-240V~, 50Hz, 780W, 130g R290  
AC1B-9000C: 220-240V~, 50Hz, 1005W, 170g R290

## ASSISTANCE ET PIÈCES DÉTACHÉES

Pour obtenir de l'aide, consulter le site [wilfa.com](http://wilfa.com) et la page de notre service client/d'assistance. Cette page propose des réponses aux questions les plus fréquentes, des informations sur les pièces détachées, des conseils et astuces ainsi que toutes nos coordonnées.

## RECYCLAGE



Ce marquage indique que la mise au rebut de ce produit avec les déchets ménagers est proscrite dans toute l'Union européenne. Pour éviter tout effet négatif sur l'environnement ou la santé humaine en raison d'une élimination inadéquate des déchets, recycler l'appareil de manière responsable, afin d'encourager la réutilisation durable des ressources matérielles. Pour retourner l'appareil usagé, recourir aux systèmes de retour et de collecte ou contacter le revendeur auprès duquel le produit a été acheté. Celui-ci pourra reprendre le produit afin qu'il soit recyclé gratuitement, en respectant l'environnement.



Il est strictement interdit d'émettre du réfrigérant dans l'atmosphère !



# BEYOND EXPECTATIONS

